



OFFICINE MARIO DORIN SINCE 1918
DORIN[®]
INNOVATION

RICAMBI
SPARE PARTS

CD300
SERIES
2015

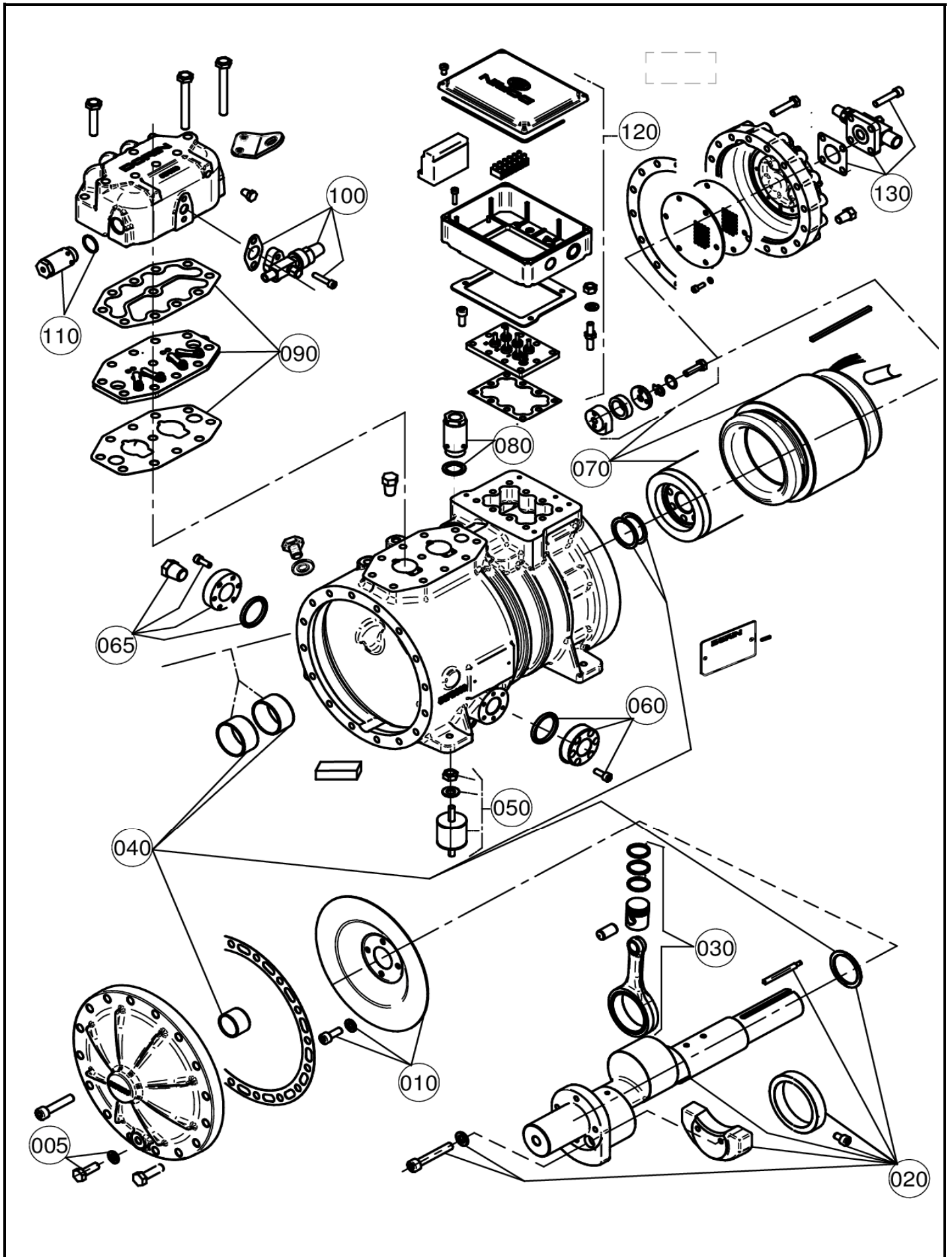


CO₂ SEMI-HERMETIC COMPRESSORS
COMPRESSORI SEMIERMETICI CO₂



OFFICINE MARIO DORIN SINCE 1918
DORIN
INNOVATION

M/COMPRESSORE - M/COMPRESSOR
CD300 - OIL DISK LUBRICATED
ESPLOSO COMMERCIALE - COMMERCIAL EXPLODED VIEW





OFFICINE MARIO DORIN SINCE 1918
DORIN
INNOVATION

M/COMPRESSORE - M/COMPRESSOR

CD300

OIL DISK LUBRICATED



| RIF. | QUANTITA' | | | | | | | | CODICE CODE | DESCRIZIONE | DESCRIPTION |
|------|-----------|--------|--------|--------|---------|--------|---------|---------|-------------|--------------------------------|----------------------------------|
| | CD700H | CD700M | CD750H | CD750M | CD1000H | CD750B | CD1000M | CD1200H | | | |
| 005 | 1 | 1 | 1 | 1 | 1 | 1 | 1 | 1 | 1CKP005 | Tappo scarico olio | Screw for oil service |
| 010 | 1 | 1 | 1 | 1 | 1 | 1 | 1 | 1 | 1MKD056 | Disco sbattiolio | Oil centrifugal disk |
| 020 | 1 | - | - | - | - | - | - | - | 1MKA270 | Albero completo c.27,5 | Complete shaft c.27,5 |
| 020 | - | 1 | 1 | 1 | 1 | - | - | - | 1MKA271 | Albero completo c.30 | Complete shaft c.30 |
| 020 | - | - | - | - | - | 1 | 1 | 1 | 1MKA272 | Albero completo c.37 | Complete shaft c.37 |
| 030 | 2 | 2 | 2 | - | - | - | - | - | 1MKM093 | Kit biella-pistone D.34 c.30 | Conn.rod.piston compl. D.34 c.30 |
| 030 | - | - | - | 2 | 2 | 2 | 2 | 2 | 1MKM095 | Kit biella-pistone D.37 c.37 | Conn.rod.piston compl. D.37 c.37 |
| 040 | 1 | 1 | 1 | 1 | 1 | 1 | 1 | 1 | 1CKJ525 | Kit bronzine + rasamento | Bushing + trust kit |
| 050 | 1 | 1 | 1 | 1 | 1 | 1 | 1 | 1 | 1CC5014 | Kit sospensioni compl. | Vibration damper kit complete |
| 060 | 1 | 1 | 1 | 1 | 1 | 1 | 1 | 1 | 1LKS045 | Spia olio completa | Oil sight glass |
| 065 | 1 | 1 | 1 | 1 | 1 | 1 | 1 | 1 | 1LKS049 | Ghiera per sensore | Ring for level sensor |
| 070 | 1 | 1 | - | - | - | - | - | - | 1RKM235 | Rotostatore 7HP | Stator-rotor 7HP |
| 070 | - | - | 1 | 1 | - | 1 | - | - | 1RKM236 | Rotostatore 7,5HP | Stator-rotor 7,5HP |
| 070 | - | - | - | - | 1 | - | 1 | - | 1RKM238 | Rotostatore 10HP | Stator-rotor 10HP |
| 070 | - | - | - | - | - | - | - | 1 | 1RKM241 | Rotostatore 12HP | Stator-rotor 12HP |
| 080 | 1 | 1 | 1 | 1 | 1 | 1 | 1 | 1 | 1LKV040 | Valvola sicurezza bassa press. | Security valve LP |
| 090 | 1 | 1 | 1 | 1 | 1 | 1 | 1 | 1 | 1PKP140 | Piastra valvole completa | Complete valve plate |
| 100 | 1 | 1 | 1 | 1 | 1 | 1 | 1 | 1 | 1RKA006 | Rubinetto di mandata | Discharge service valve |
| 110 | 1 | 1 | 1 | 1 | 1 | 1 | 1 | 1 | 1LKV041 | Valvola sicurezza alta press. | Security valve HP |
| 120 | 1 | 1 | 1 | 1 | 1 | 1 | 1 | 1 | 1RKJ095 | Scatola att.el. + piastra | Electrical plate and box |
| 130 | 1 | 1 | 1 | 1 | 1 | 1 | 1 | 1 | 1RKA008 | Rubinetto di aspirazione | Suction service valve |

ACCESSORI - ACCESSORIES

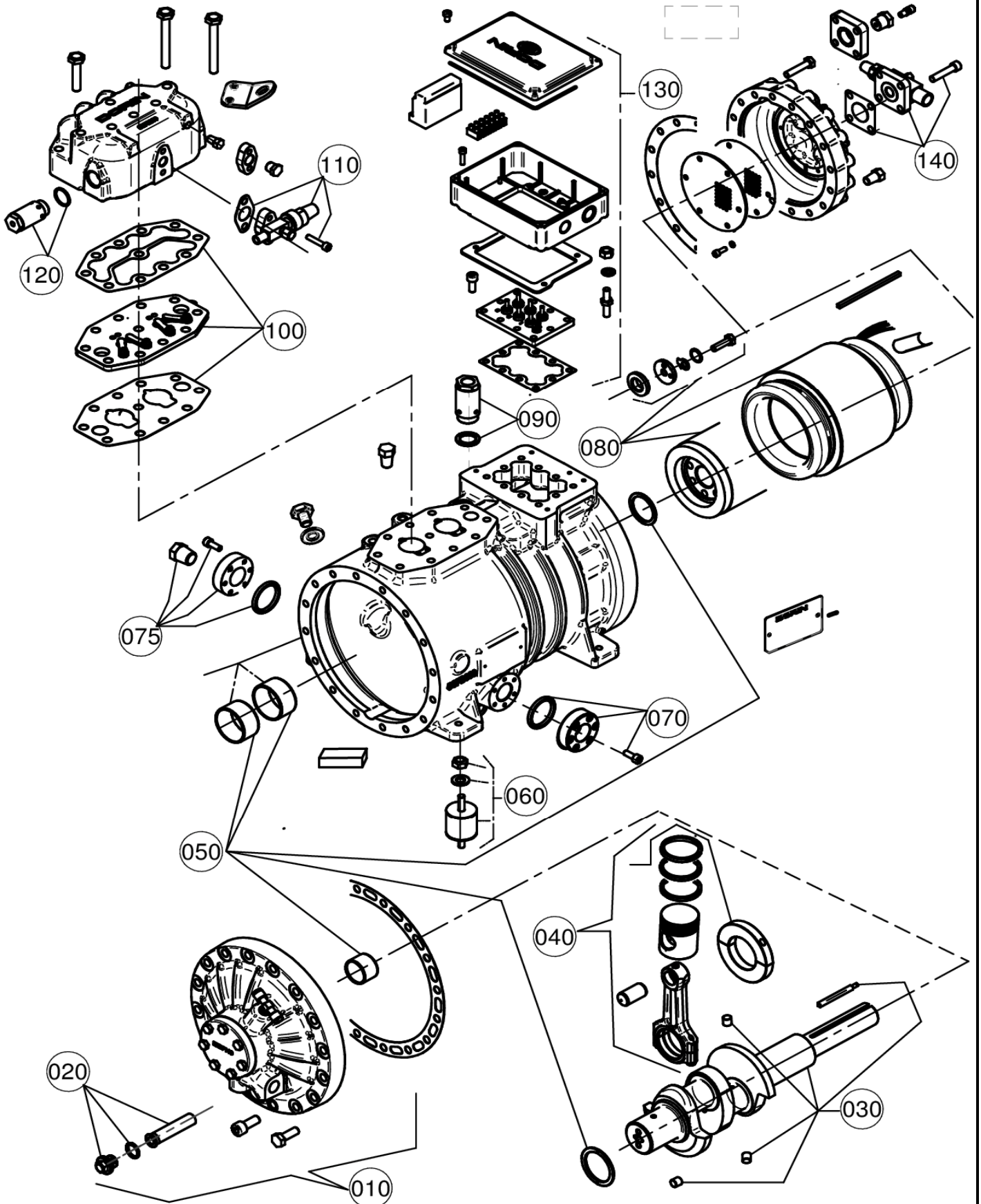
| | | | | | | | | | | | | |
|--|---|---|---|---|---|---|---|---|---|---------|------------------------|-----------------------|
| | 1 | 1 | 1 | 1 | 1 | 1 | 1 | 1 | 1 | 1CCM221 | Serie guarnizioni | Complete gasket set |
| | 1 | 1 | 1 | 1 | 1 | 1 | 1 | 1 | 1 | 2EG2020 | Resistenza carter 220V | Crankcase heater 220V |
| | 1 | 1 | 1 | 1 | 1 | 1 | 1 | 1 | 1 | 2EG1050 | Resistenza carter 110V | Crankcase heater 110V |
| | 1 | 1 | 1 | 1 | 1 | 1 | 1 | 1 | 1 | 2EG1080 | Resistenza carter 24V | Crankcase heater 24V |
| | 1 | 1 | 1 | 1 | 1 | 1 | 1 | 1 | 1 | 2CC4010 | Modulo per termistori | Thermistors module |
| | 1 | 1 | 1 | 1 | 1 | 1 | 1 | 1 | 1 | 1ACS829 | Ventilatore ausiliario | Auxiliary head fan |
| | 1 | 1 | 1 | 1 | 1 | 1 | 1 | 1 | 1 | 2CG1050 | Sensore livello olio | Oil level sensor |

NOTES:



OFFICINE MARIO DORIN SINCE 1918
DORIN
INNOVATION

M/COMPRESSORE - M/COMPRESSOR
CD300 - OIL PUMP LUBRICATED
ESPLOSO COMMERCIALE - COMMERCIAL EXPLODED VIEW





OFFICINE MARIO DORIN SINCE 1918
DORIN
INNOVATION

M/COMPRESSORE - M/COMPRESSOR

CD300

OIL PUMP LUBRICATED



| RIF. | QUANTITA' | | | | | | | | CODICE CODE | DESCRIZIONE | DESCRIPTION |
|------|-----------|---------|---------|---------|---------|---------|---------|---------|-------------|--------------------------------|---------------------------------|
| | CD800B | CD1100M | CD1300H | CD1300M | CD1500H | CD1000B | CD1400M | CD1900H | | | |
| 010 | 1 | 1 | 1 | 1 | 1 | 1 | 1 | 1 | 1LKF035 | Mozzo + pompa olio | Hub + pump oil |
| 020 | 1 | 1 | 1 | 1 | 1 | 1 | 1 | 1 | 1LKU015 | Filtro olio compl. | Complete oil strainer |
| 030 | 1 | 1 | 1 | - | - | - | - | - | 1MKA285 | Albero completo c.37 | Complete shaft c.37 |
| 030 | - | - | - | 1 | 1 | 1 | 1 | 1 | 1MKA287 | Albero completo c.42 | Complete shaft c.42 |
| 040 | 2 | 2 | 2 | - | - | - | - | - | 1MKM097 | Kit biella-pistone D.42 c.37 | Conn.rod.piston compl.D.42 c.37 |
| 040 | - | - | - | 2 | 2 | - | - | - | 1MKM098 | Kit biella-pistone D.42 c.42 | Conn.rod.piston compl.D.42 c.42 |
| 040 | - | - | - | - | - | 2 | 2 | 2 | 1MKM099 | Kit biella-pistone D.45 c.42 | Conn.rod.piston compl.D.45 c.42 |
| 050 | 1 | 1 | 1 | 1 | 1 | 1 | 1 | 1 | 1CKJ526 | Kit bronzine + rasamento | Bushing + trust kit |
| 060 | 1 | 1 | 1 | 1 | 1 | 1 | 1 | 1 | 1CC5014 | Kit sospensioni compl. | Vibration damper kit compl. |
| 070 | 1 | 1 | 1 | 1 | 1 | 1 | 1 | 1 | 1LKS045 | Spia olio completa | Oil sight glass |
| 075 | 1 | 1 | 1 | 1 | 1 | 1 | 1 | 1 | 1LKS049 | Ghiera per sensore | Ring for level sensor |
| 080 | 1 | - | - | - | - | - | - | - | 1RKM236 | Rotostatore 7,5HP | Stator-rotor 7,5HP |
| 080 | - | 1 | - | - | - | 1 | - | - | 1RKM239 | Rotostatore 10HP | Stator-rotor 10HP |
| 080 | - | - | 1 | 1 | - | - | - | - | 1RKM241 | Rotostatore 12HP | Stator-rotor 12HP |
| 080 | - | - | - | - | 1 | - | 1 | - | 1RKM243 | Rotostatore 15HP | Stator-rotor 15HP |
| 080 | - | - | - | - | - | - | - | 1 | 1RKM244 | Rotostatore 20HP | Stator-rotor 20HP |
| 090 | 1 | 1 | 1 | 1 | 1 | 1 | 1 | 1 | 1LKV040 | Valvola sicurezza bassa press. | Security valve LP |
| 100 | 1 | 1 | 1 | 1 | 1 | 1 | 1 | 1 | 1PKP141 | Piastra valvole completa | Complete valve plate |
| 110 | 1 | 1 | 1 | 1 | 1 | 1 | 1 | 1 | 1RKA006 | Rubinetto di mandata | Discharge service valve |
| 120 | 1 | 1 | 1 | 1 | 1 | 1 | 1 | 1 | 1LKV041 | Valvola sicurezza alta press. | Security valve HP |
| 130 | 1 | 1 | 1 | 1 | 1 | 1 | 1 | - | 1RKJ095 | Scatola att.el. + piastra | Electrical plate and box |
| 130 | - | - | - | - | - | - | - | 1 | 1RKJ096 | Scatola att.el. + piastra | Electrical plate and box |
| 140 | 1 | 1 | 1 | 1 | 1 | 1 | 1 | 1 | 1RKA008 | Rubinetto di aspirazione | Suction service valve |

ACCESSORI - ACCESSORIES

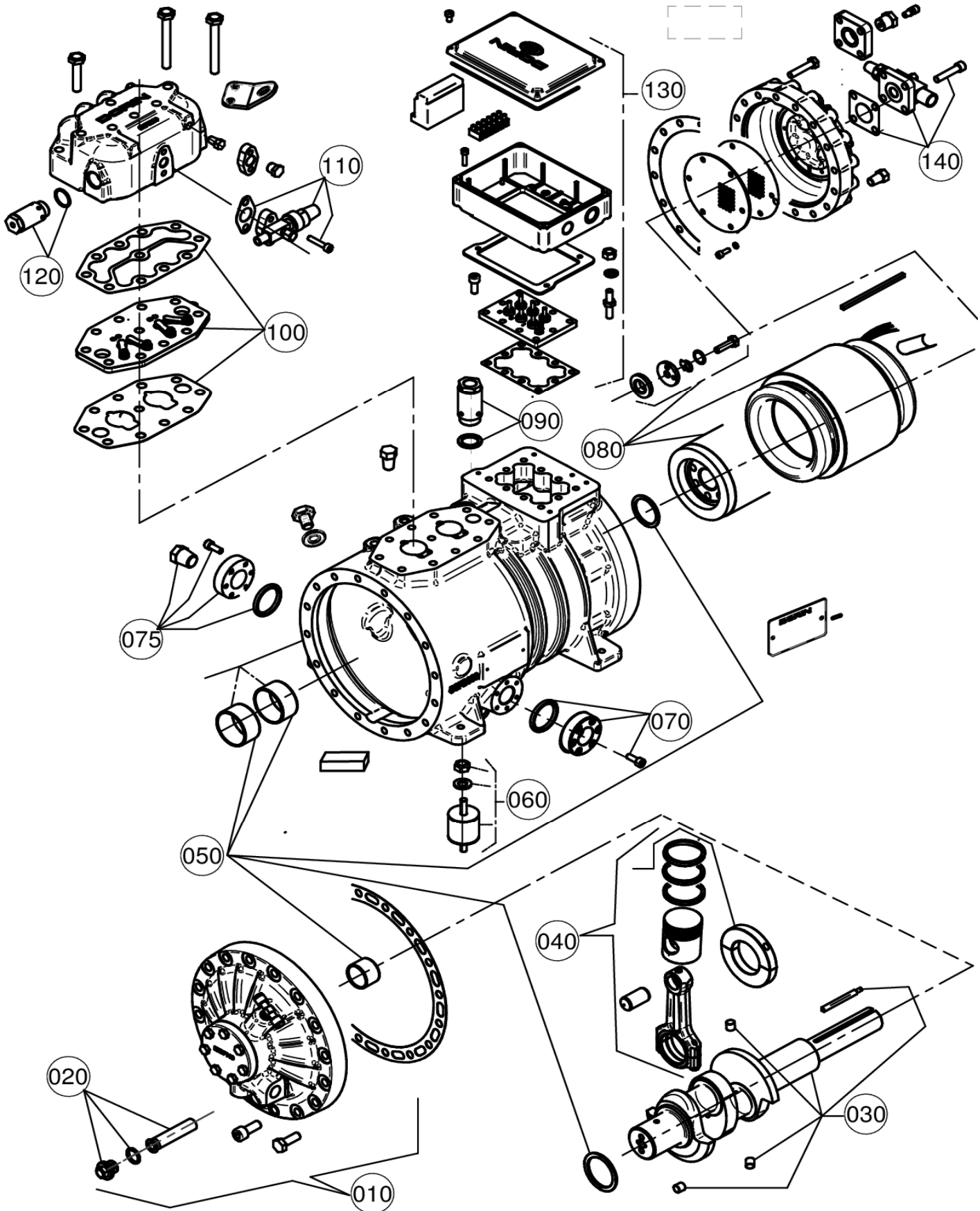
| | | | | | | | | | | | | |
|--|---|---|---|---|---|---|---|---|---|---------|------------------------|-------------------------------|
| | 1 | 1 | 1 | 1 | 1 | 1 | 1 | 1 | 1 | 1CCM221 | Serie guarnizioni | Complete gasket set |
| | 1 | 1 | 1 | 1 | 1 | 1 | 1 | 1 | 1 | 2EG2020 | Resistenza carter 220V | Cranckase heater 220V |
| | 1 | 1 | 1 | 1 | 1 | 1 | 1 | 1 | 1 | 2EG1050 | Resistenza carter 110V | Cranckase heater 110V |
| | 1 | 1 | 1 | 1 | 1 | 1 | 1 | 1 | 1 | 2EG1080 | Resistenza carter 24V | Cranckase heater 24V |
| | 1 | 1 | 1 | 1 | 1 | 1 | 1 | 1 | 1 | 2CC4010 | Modulo per termistori | Thermistors module |
| | 1 | 1 | 1 | 1 | 1 | 1 | 1 | 1 | 1 | 2CG9030 | Press.diff.olio el. | Oil differential press.switch |
| | 1 | 1 | 1 | 1 | 1 | 1 | 1 | 1 | 1 | 1ACS829 | Ventilatore ausiliario | Auxiliary head fan |
| | 1 | 1 | 1 | 1 | 1 | 1 | 1 | 1 | 1 | 2CG1050 | Sensore livello olio | Oil level sensor |

NOTES:



OFFICINE MARIO DORIN SINCE 1918
DORIN
INNOVATION

M/COMPRESSORE - M/COMPRESSOR
CD300 - OIL PUMP LUBRICATED
ESPLOSO COMMERCIALE - COMMERCIAL EXPLODED VIEW





OFFICINE MARIO DORIN SINCE 1918
DORIN
INNOVATION

M/COMPRESSORE - M/COMPRESSOR

CD300

OIL PUMP LUBRICATED



| RIF. | QUANTITA' | | | | | | CODICE CODE | DESCRIZIONE | DESCRIPTION |
|------|-----------|-----------|------------|-----------|------------|------------|-------------|--------------------------------|---------------------------------|
| | CD730M/OP | CD750M/OP | CD1000H/OP | CD750B/OP | CD1000M/OP | CD1200H/OP | | | |
| 010 | 1 | 1 | 1 | 1 | 1 | 1 | 1LKF035 | Mozzo + pompa olio | Hub + pump oil |
| 020 | - | - | 1 | 1 | 1 | 1 | 1LKU015 | Filtro olio compl. | Complete oil strainer |
| 030 | 1 | 1 | - | - | - | - | 1MKA284 | Albero completo c.32 | Complete shaft c.32 |
| 030 | - | - | 1 | 1 | 1 | 1 | 1MKA285 | Albero completo c.37 | Complete shaft c.37 |
| 040 | 2 | - | - | - | - | - | 1MKM089 | Kit biella-pistone D.34 c.32 | Conn.rod.piston compl.D.34 c.32 |
| 040 | - | 2 | 2 | - | - | - | 1MKM090 | Kit biella-pistone D.34 c.37 | Conn.rod.piston compl.D.34 c.37 |
| 040 | - | - | - | 2 | 2 | 2 | 1MKM091 | Kit biella-pistone D.37 c.37 | Conn.rod.piston compl.D.37 c.37 |
| 050 | 1 | 1 | 1 | 1 | 1 | 1 | 1CKJ526 | Kit bronzine + rasamento | Bushing + trust kit |
| 060 | 1 | 1 | 1 | 1 | 1 | 1 | 1CC5014 | Kit sospensioni compl. | Vibration damper kit compl. |
| 070 | 1 | 1 | 1 | 1 | 1 | 1 | 1LKS045 | Spia olio completa | Oil sight glass |
| 075 | 1 | 1 | 1 | 1 | 1 | 1 | 1LKS049 | Ghiera per sensore | Ring for level sensor |
| 080 | 1 | 1 | - | 1 | - | - | 1RKM237 | Rotostatore 7,5HP | Stator-rotor 7,5HP |
| 080 | - | - | 1 | - | 1 | - | 1RKM239 | Rotostatore 10HP | Stator-rotor 10HP |
| 080 | - | - | - | - | - | 1 | 1RKM241 | Rotostatore 12HP | Stator-rotor 12HP |
| 090 | 1 | 1 | 1 | 1 | 1 | 1 | 1LKV040 | Valvola sicurezza bassa press. | Security valve LP |
| 100 | 1 | 1 | 1 | 1 | 1 | 1 | 1PKP140 | Piastra valvole completa | Complete valve plate |
| 110 | 1 | 1 | 1 | 1 | 1 | 1 | 1RKA006 | Rubinetto di mandata | Discharge service valve |
| 120 | 1 | 1 | 1 | 1 | 1 | 1 | 1LKV041 | Valvola sicurezza alta press. | Security valve HP |
| 130 | 1 | 1 | 1 | 1 | 1 | 1 | 1RKJ095 | Scatola att.el. + piastra | Electrical plate and box |
| 140 | 1 | 1 | 1 | 1 | 1 | 1 | 1RKA008 | Rubinetto di aspirazione | Suction service valve |

ACCESSORI - ACCESSORIES

| | | | | | | | | | |
|--|---|---|---|---|---|---|---------|------------------------|-------------------------------|
| | 1 | 1 | 1 | 1 | 1 | 1 | 1CCM221 | Serie guarnizioni | Complete gasket set |
| | 1 | 1 | 1 | 1 | 1 | 1 | 2EG2020 | Resistenza carter 220V | Crankcase heater 220V |
| | 1 | 1 | 1 | 1 | 1 | 1 | 2EG1050 | Resistenza carter 110V | Crankcase heater 110V |
| | 1 | 1 | 1 | 1 | 1 | 1 | 2EG1080 | Resistenza carter 24V | Crankcase heater 24V |
| | 1 | 1 | 1 | 1 | 1 | 1 | 2CC4010 | Modulo per termistori | Thermistors module |
| | 1 | 1 | 1 | 1 | 1 | 1 | 2CG9030 | Press.diff.olio el. | Oil differential press.switch |
| | 1 | 1 | 1 | 1 | 1 | 1 | 1ACS829 | Ventilatore ausiliario | Auxiliary head fan |
| | 1 | 1 | 1 | 1 | 1 | 1 | 2CG1050 | Sensore livello olio | Oil level sensor |

NOTES:



OFFICINE MARIO DORIN SINCE 1918
DORIN[®]
INNOVATION

OFFICINE MARIO DORIN S.p.A.
Via Aretina 388, 50061 Compiobbi - Florence, Italy
Tel. +39 055 62321 1 - Fax +39 055 62321 380

dorin@dorin.com
www.dorin.com