



OFFICINE MARIO DORIN SINCE 1918  
**DORIN**<sup>®</sup>  
INNOVATION

**RICAMBI**  
SPARE PARTS

**CD400**  
SERIES  
2015

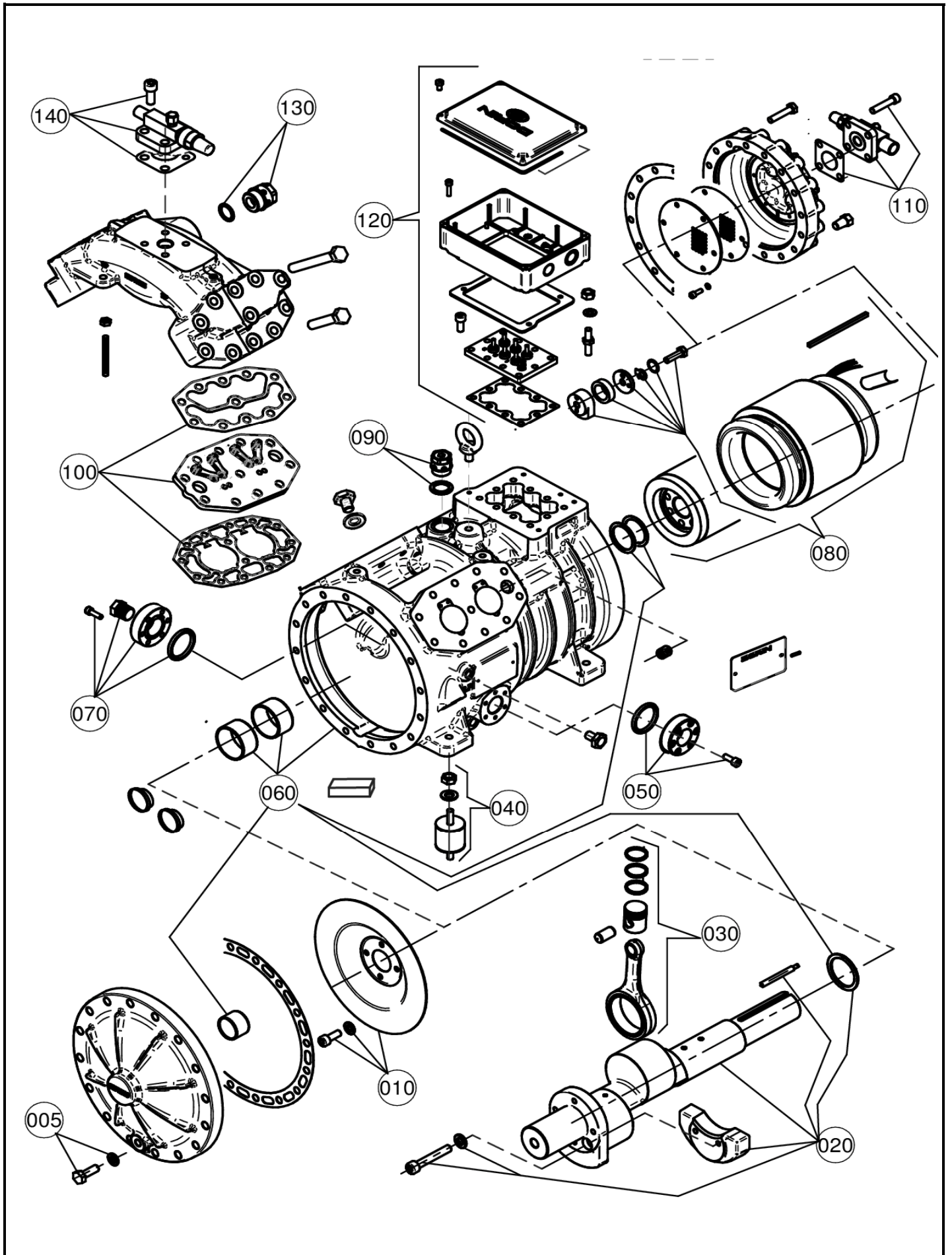


**CO<sub>2</sub> SEMI-HERMETIC COMPRESSORS**  
COMPRESSORI SEMIERMETICI CO<sub>2</sub>



OFFICINE MARIO DORIN SINCE 1918  
**DORIN**  
INNOVATION

M/COMPRESSORE - M/COMPRESSOR  
**CD400 - OIL DISK LUBRICATED**  
ESPLOSO COMMERCIALE - COMMERCIAL EXPLODED VIEW





OFFICINE MARIO DORIN SINCE 1918  
**DORIN**  
INNOVATION

M/COMPRESSORE - M/COMPRESSOR

**CD400**

OIL DISK LUBRICATED



RIF.	QUANTITA'									CODICE CODE	DESCRIZIONE	DESCRIPTION
	CD1200M	CD1400H	CD1500M	CD2000H	CD1200B	CD2000M	CD2400H	CD1500B	CD2500H			
005	1	1	1	1	1	1	1	1	1	1CKP005	Tappo scarico olio	Screw for oil service
010	1	1	1	1	1	1	1	1	1	1MKD056	Disco sbattiolio	Oil centrifugal disk
020	1	1	-	-	-	-	-	-	-	1MKA280	Albero completo c.30	Complete shaft c.30
020	-	-	1	1	1	1	1	-	-	1MKA281	Albero completo c.37	Complete shaft c.37
020	-	-	-	-	-	-	-	1	1	1MKA282	Albero completo c.42	Complete shaft c.42
030	4	4	-	-	-	-	-	-	-	1MKM093	Kit biella-pistone D.34 c.30	Conn.rod.piston compl.D.34 c.30
030	-	-	4	4	-	-	-	-	-	1MKM094	Kit biella-pistone D.34 c.37	Conn.rod.piston compl.D.34 c.37
030	-	-	-	-	4	4	4	-	-	1MKM095	Kit biella-pistone D.37 c.37	Conn.rod.piston compl.D.37 c.37
030	-	-	-	-	-	-	-	4	4	1MKM096	Kit biella-pistone D.37 c.42	Conn.rod.piston compl.D.37 c.42
040	1	1	1	1	1	1	1	1	1	1CC5014	Kit sospensioni compl.	Vibration damper kit compl.
050	1	1	1	1	1	1	1	1	1	1LKS045	Spia olio completa	Oil sight glass
060	1	1	1	1	1	1	1	1	1	1CKJ525	Kit bronzine + rasamento	Bushing + trust kit
070	1	1	1	1	1	1	1	1	1	1LKS049	Ghiera per sensore	Ring for level sensor
080	1	-	-	-	-	-	-	-	-	1RKM240	Rotostatore 12HP	Stator-rotor 12HP
080	-	-	-	-	1	-	-	-	-	1RKM241	Rotostatore 12HP	Stator-rotor 12HP
080	-	1	-	-	-	-	-	-	-	2RKM242	Rotostatore 15HP	Stator-rotor 15HP
080	-	-	1	-	-	-	-	1	-	1RKM243	Rotostatore 15HP	Stator-rotor 15HP
080	-	-	-	1	-	1	-	-	-	1RKM244	Rotostatore 20HP	Stator-rotor 20HP
080	-	-	-	-	-	-	1	-	1	1RKM245	Rotostatore 25HP	Stator-rotor 25HP
090	1	1	1	1	1	1	1	1	1	1LKV040	Valvola sicurezza bassa press.	Security valve lp
100	2	2	2	2	2	2	2	2	2	1PKP140	Piastra valvole completa	Complete valve plate
110	1	1	1	1	1	1	1	1	1	1RKA008	Rubinetto di aspirazione	Suction service valve
120	1	1	1	-	1	1	-	1	-	1RKJ095	Scatola att.el. + piastra	Electrical plate and box
120	-	-	-	1	-	-	1	-	1	1RKJ096	Scatola att.el. + piastra	Electrical plate and box
130	1	1	1	1	1	1	1	1	1	1LKV042	Valvola sicurezza alta press.	Security valve hp
140	1	1	1	1	1	1	1	1	1	1RKA007	Rubinetto di mandata	Discharge service valve

## ACCESSORI - ACCESSORIES

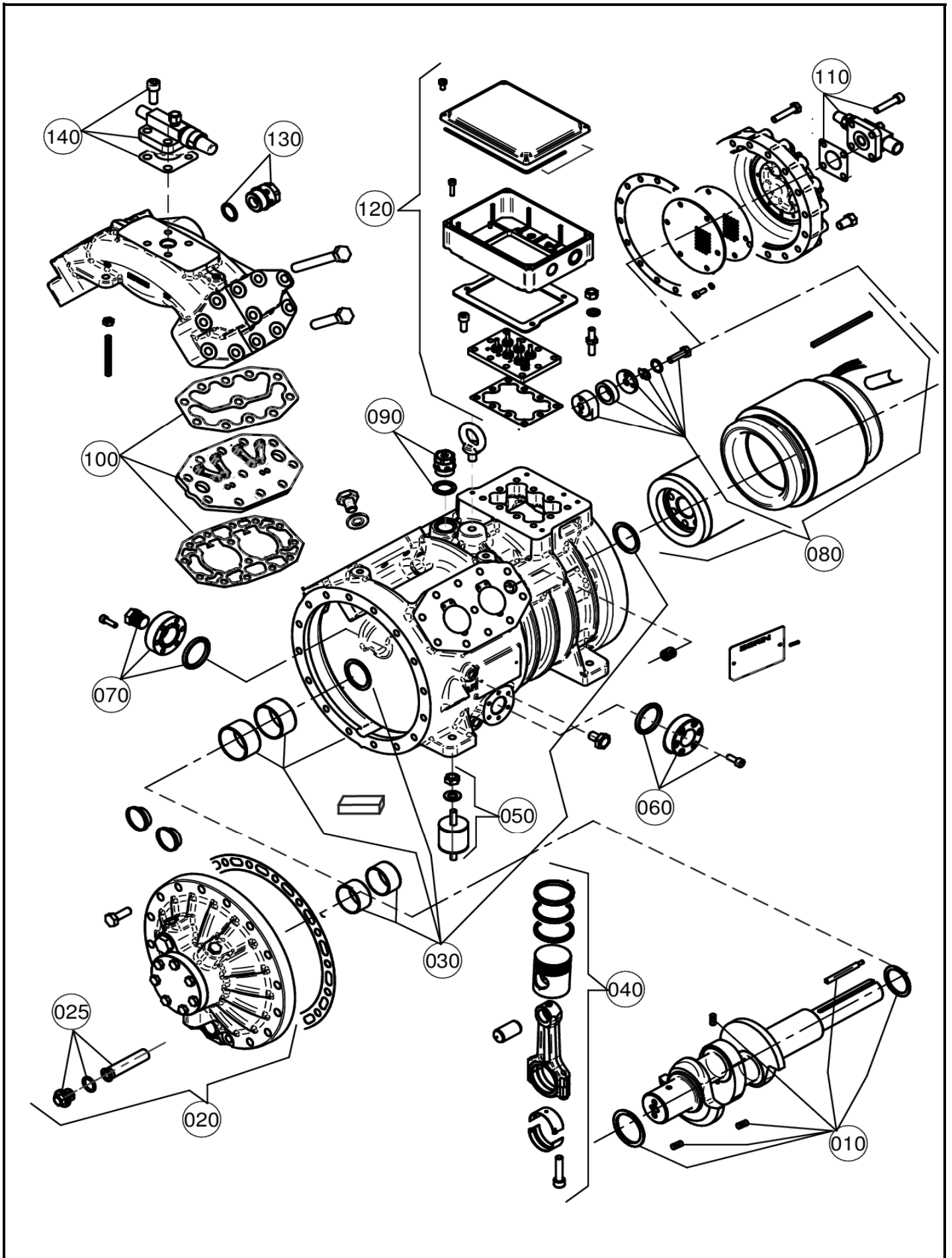
	1	1	1	1	1	1	1	1	1	1CCM220	Serie guarnizioni	Complete gasket set
	1	1	1	1	1	1	1	1	1	2EG1090	Resistenza carter 220V	Crankcase heater 220V
	1	1	1	1	1	1	1	1	1	2EG1520	Resistenza carter 110V	Crankcase heater 110V
	1	1	1	1	1	1	1	1	1	2EG1080	Resistenza carter 24V	Crankcase heater 24V
	1	1	1	1	1	1	1	1	1	2CC4010	Modulo per termistori	Thermistors module
	1	1	1	1	1	1	1	1	1	1ACS830	Ventilatore ausiliario	Auxiliary head fan
	1	1	1	1	1	1	1	1	1	2CG1050	Sensore livello olio	Oil level sensor

**NOTES:**



OFFICINE MARIO DORIN SINCE 1918  
**DORIN**  
INNOVATION

M/COMPRESSORE - M/COMPRESSOR  
**CD400 - OIL PUMP LUBRICATED**  
ESPLOSO COMMERCIALE - COMMERCIAL EXPLODED VIEW





OFFICINE MARIO DORIN SINCE 1918  
**DORIN**  
INNOVATION

M/COMPRESSORE - M/COMPRESSOR

**CD400**

OIL PUMP LUBRICATED



RIF.	QUANTITA'												CODICE CODE	DESCRIZIONE	DESCRIPTION
	CD2500M	CD3000H	CD2000B	CD3000M	CD3400H	CD2500B	CD3500H	CD3000B	CD3500M	CD4000H	CD3500B	CD5000M			
010	1	1	-	-	-	-	-	-	-	-	-	-	1MKA285	Albero completo c.37	Complete shaft c.37
010	-	-	1	1	1	1	1	1	1	-	-	-	1MKA286	Albero completo c.42	Complete shaft c.42
010	-	-	-	-	-	-	-	-	-	1	1	1	1MKA287	Albero completo c.48	Complete shaft c.48
020	1	1	1	1	1	1	1	1	1	1	1	1	1LKF035	Mozzo + pompa olio	Hub + pump oil
025	1	1	1	1	1	1	1	1	1	1	1	1	1LKU015	Filtro olio compl.	Complete oil strainer
030	1	1	1	1	1	1	1	1	1	1	1	1	1CKJ526	Kit bronzine + rasamento	Bushing + trust kit
040	4	4	-	-	-	-	-	-	-	-	-	-	1MKM097	Kit biella-pistone D.42 c.37	Conn.rod.piston compl.D.42 c.37
040	-	-	4	4	4	-	-	-	-	-	-	-	1MKM098	Kit biella-pistone D.42 c.42	Conn.rod.piston compl.D.42 c.42
040	-	-	-	-	-	4	4	-	-	-	-	-	1MKM099	Kit biella-pistone D.45 c.42	Conn.rod.piston compl.D.45 c.42
040	-	-	-	-	-	-	-	4	4	4	-	-	1MKM100	Kit biella-pistone D.45 c.48	Conn.rod.piston compl.D.45 c.48
040	-	-	-	-	-	-	-	-	-	-	4	4	1MKM101	Kit biella-pistone D.48 c.48	Conn.rod.piston compl.D.48 c.48
050	1	1	1	1	1	1	1	1	1	1	1	1	1CC5014	Kit sospensioni compl.	Vibration damper kit compl.
060	1	1	1	1	1	1	1	1	1	1	1	1	1LKS045	Spia olio completa	Oil sight glass
070	1	1	1	1	1	1	1	1	1	1	1	1	1LKS049	Ghiera per sensore	Ring for level sensor
080	-	-	1	-	-	-	-	-	-	-	-	-	1RKM244	Rotostatore 20HP	Stator-rotor 20HP
080	1	-	-	-	-	1	-	-	-	-	-	-	1RKM245	Rotostatore 25HP	Stator-rotor 25HP
080	-	1	-	1	-	-	-	-	-	-	-	-	1RKM246	Rotostatore 30HP	Stator-rotor 30HP
080	-	-	-	-	-	-	-	1	-	-	-	-	1RKM247	Rotostatore 30HP	Stator-rotor 30HP
080	-	-	-	-	1	-	1	-	-	-	-	-	1RKM248	Rotostatore 35HP	Stator-rotor 35HP
080	-	-	-	-	-	-	-	-	1	-	1	-	1RKM249	Rotostatore 35HP	Stator-rotor 35HP
080	-	-	-	-	-	-	-	-	-	1	-	-	1RKM250	Rotostatore 40HP	Stator-rotor 40HP
080	-	-	-	-	-	-	-	-	-	-	-	1	1RKM251	Rotostatore 45HP	Stator-rotor 45HP
090	1	1	1	1	1	1	1	1	1	1	1	1	1LKV040	Valvola sicurezza bassa press.	Security valve LP
100	2	2	2	2	2	2	2	2	2	2	-	-	1PKP141	Piastra valvole completa	Complete valve plate
100	-	-	-	-	-	-	-	-	-	-	2	2	1PKP142	Piastra valvole completa	Complete valve plate
110	1	1	1	1	1	1	1	1	1	1	1	1	1RKA008	Rubinetto di aspirazione	Suction service valve
120	1	-	1	-	-	1	-	-	-	-	-	-	1RKJ096	Scatola att.el. + piastra	Electrical plate and box
120	-	1	-	1	1	-	1	1	1	1	1	-	1RKJ097	Scatola att.el. + piastra	Electrical plate and box
120	-	-	-	-	-	-	-	-	-	-	-	1	1RKJ098	Scatola att.el. + piastra	Electrical plate and box
130	1	1	1	1	1	1	1	1	1	1	1	1	1LKV042	Valvola sicurezza alta press.	Security valve HP
140	1	1	1	1	1	1	1	1	1	1	1	1	1RKA007	Rubinetto di mandata	Discharge service valve

### ACCESSORI - ACCESSORIES

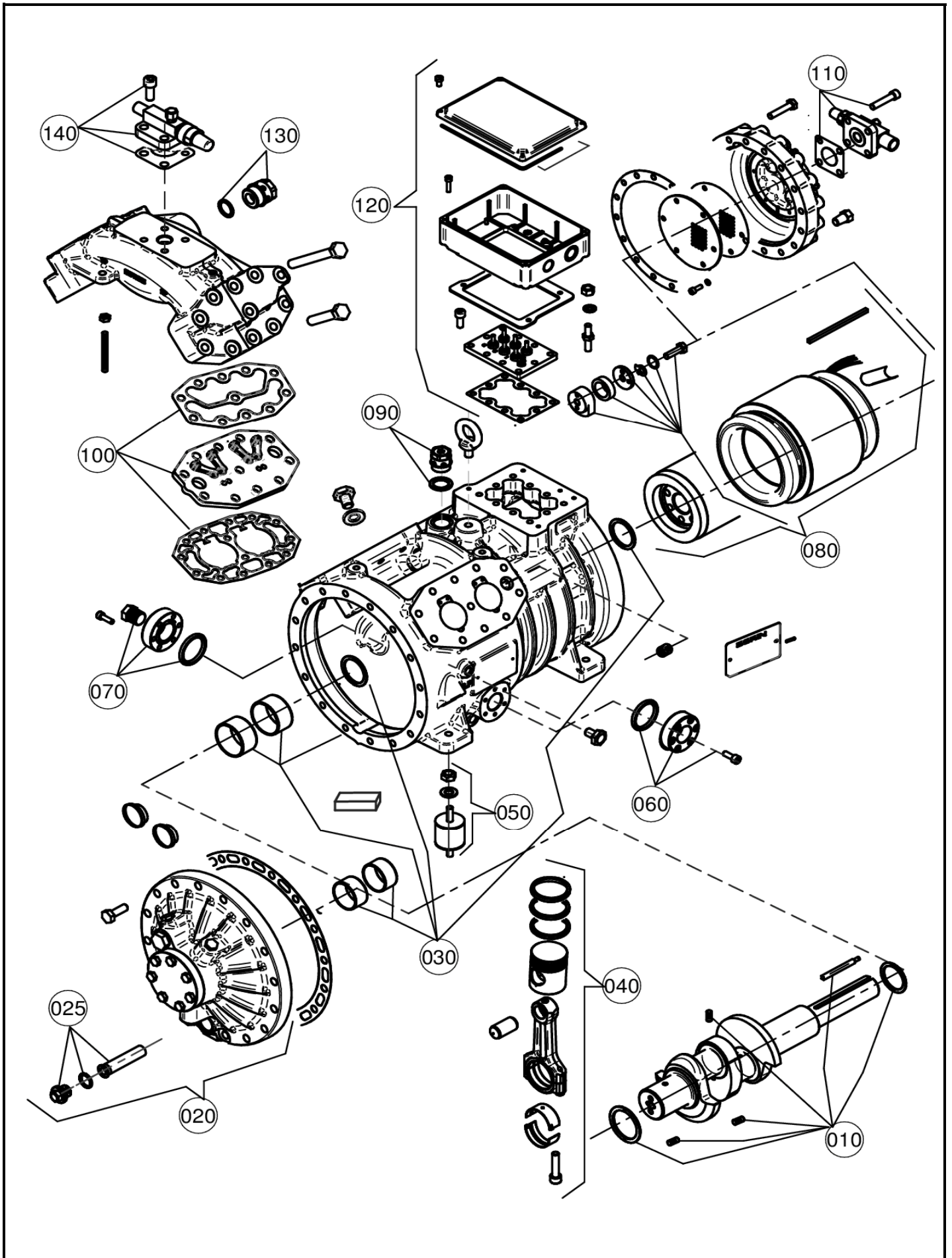
	1	1	1	1	1	1	1	1	1	1	1	1	1CCM220	Serie guarnizioni	Complete gasket set
	1	1	1	1	1	1	1	1	1	1	1	1	2EG1090	Resistenza carter 220V	Crankcase heater 220V
	1	1	1	1	1	1	1	1	1	1	1	1	2EG1520	Resistenza carter 110V	Crankcase heater 110V
	1	1	1	1	1	1	1	1	1	1	1	1	2EG1080	Resistenza carter 24V	Crankcase heater 24V
	1	1	1	1	1	1	1	1	1	1	1	1	2CC4010	Modulo per termistori	Thermistors module
	1	1	1	1	1	1	1	1	1	1	1	1	1ACS830	Ventilatore ausiliario	Auxiliary head fan
	1	1	1	1	1	1	1	1	1	1	1	1	2CG9030	Press.diff.olio el.	Oil differential press.switch
	1	1	1	1	1	1	1	1	1	1	1	1	2CG1050	Sensore livello olio	Oil level sensor





OFFICINE MARIO DORIN SINCE 1918  
**DORIN**  
INNOVATION

M/COMPRESSORE - M/COMPRESSOR  
**CD400 - OIL PUMP LUBRICATED**  
ESPLOSO COMMERCIALE - COMMERCIAL EXPLODED VIEW





OFFICINE MARIO DORIN SINCE 1918  
**DORIN**  
INNOVATION

M/COMPRESSORE - M/COMPRESSOR

**CD400**

OIL PUMP LUBRICATED



RIF.	QUANTITA'							CODICE CODE	DESCRIZIONE	DESCRIPTION
	CD1500M/OP	CD2000H/OP	CD1200B/OP	CD2000M/OP	CD2400H/OP	CD1500B/OP	CD2500H/OP			
010	1	1	1	1	1	-	-	1MKA285	Albero completo c.37	Complete shaft c.37
010	-	-	-	-	-	1	1	1MKA286	Albero completo c.42	Complete shaft c.42
020	1	1	1	1	1	1	1	1LKF035	Mozzo + pompa olio	Hub + pump oil
025	1	1	1	1	1	1	1	1LKU015	Filtro olio compl.	Complete oil strainer
030	1	1	1	1	1	1	1	1CKJ526	Kit bronzine + rasamento	Bushing + trust kit
040	4	4	-	-	-	-	-	1MKM090	Kit biella-pistone D.34 c.37	Conn.rod.piston compl.D.34 c.37
040	-	-	4	4	4	-	-	1MKM091	Kit biella-pistone D.37 c.37	Conn.rod.piston compl.D.37 c.37
040	-	-	-	-	-	4	4	1MKM092	Kit biella-pistone D.37 c.42	Conn.rod.piston compl.D.37 c.42
050	1	1	1	1	1	1	1	1CC5014	Kit sospensioni compl.	Vibration damper kit compl.
060	1	1	1	1	1	1	1	1LKS045	Spia olio completa	Oil sight glass
070	1	1	1	1	1	1	1	1LKS049	Ghiera per sensore	Ring for level sensor
080	-	-	1	-	-	-	-	1RKM241	Rotostatore 12HP	Stator-rotor 12HP
080	1	-	-	-	-	1	-	1RKM243	Rotostatore 15HP	Stator-rotor 15HP
080	-	1	-	1	-	-	-	1RKM244	Rotostatore 20HP	Stator-rotor 20HP
080	-	-	-	-	1	-	1	1RKM245	Rotostatore 25HP	Stator-rotor 25HP
090	1	1	1	1	1	1	1	1LKV040	Valvola sicurezza bassa press.	Security valve LP
100	2	2	2	2	2	2	2	1PKP140	Piastra valvole completa	Complete valve plate
110	1	1	1	1	1	1	1	1RKA008	Rubinetto di aspirazione	Suction service valve
120	1	-	1	-	-	1	-	1RKJ095	Scatola att.el. + piastra	Electrical plate and box
120	-	1	-	1	1	-	1	1RKJ096	Scatola att.el. + piastra	Electrical plate and box
130	1	1	1	1	1	1	1	1LKV042	Valvola sicurezza alta press.	Security valve HP
140	1	1	1	1	1	1	1	1RKA007	Rubinetto di mandata	Discharge service valve

## ACCESSORI - ACCESSORIES

	1	1	1	1	1	1	1	1CCM220	Serie guarnizioni	Complete gasket set
	1	1	1	1	1	1	1	2EG1090	Resistenza carter 220V	Crankcase heater 220V
	1	1	1	1	1	1	1	2EG1520	Resistenza carter 110V	Crankcase heater 110V
	1	1	1	1	1	1	1	2EG1080	Resistenza carter 24V	Crankcase heater 24V
	1	1	1	1	1	1	1	2CC4010	Modulo per termistori	Thermistors module
	1	1	1	1	1	1	1	1ACS830	Ventilatore ausiliario	Auxiliary head fan
	1	1	1	1	1	1	1	2CG9030	Press.diff.olio el.	Oil differential press.switch
	1	1	1	1	1	1	1	2CG1050	Sensore livello olio	Oil level sensor

### NOTES:



OFFICINE MARIO DORIN SINCE 1918  
**DORIN**<sup>®</sup>  
INNOVATION

OFFICINE MARIO DORIN S.p.A.  
Via Aretina 388, 50061 Compiobbi - Florence, Italy  
Tel. +39 055 62321 1 - Fax +39 055 62321 380

[dorin@dorin.com](mailto:dorin@dorin.com)  
[www.dorin.com](http://www.dorin.com)