



OFFICINE MARIO DORIN SINCE 1918
DORIN[®]
INNOVATION

RICAMBI
SPARE PARTS

CDS11
SERIES
2015



CO₂ COMPRESSORS FOR SUB-CRITICAL APPLICATIONS
COMPRESSORI CO₂ PER APPLICAZIONI SUB-CRITICHE

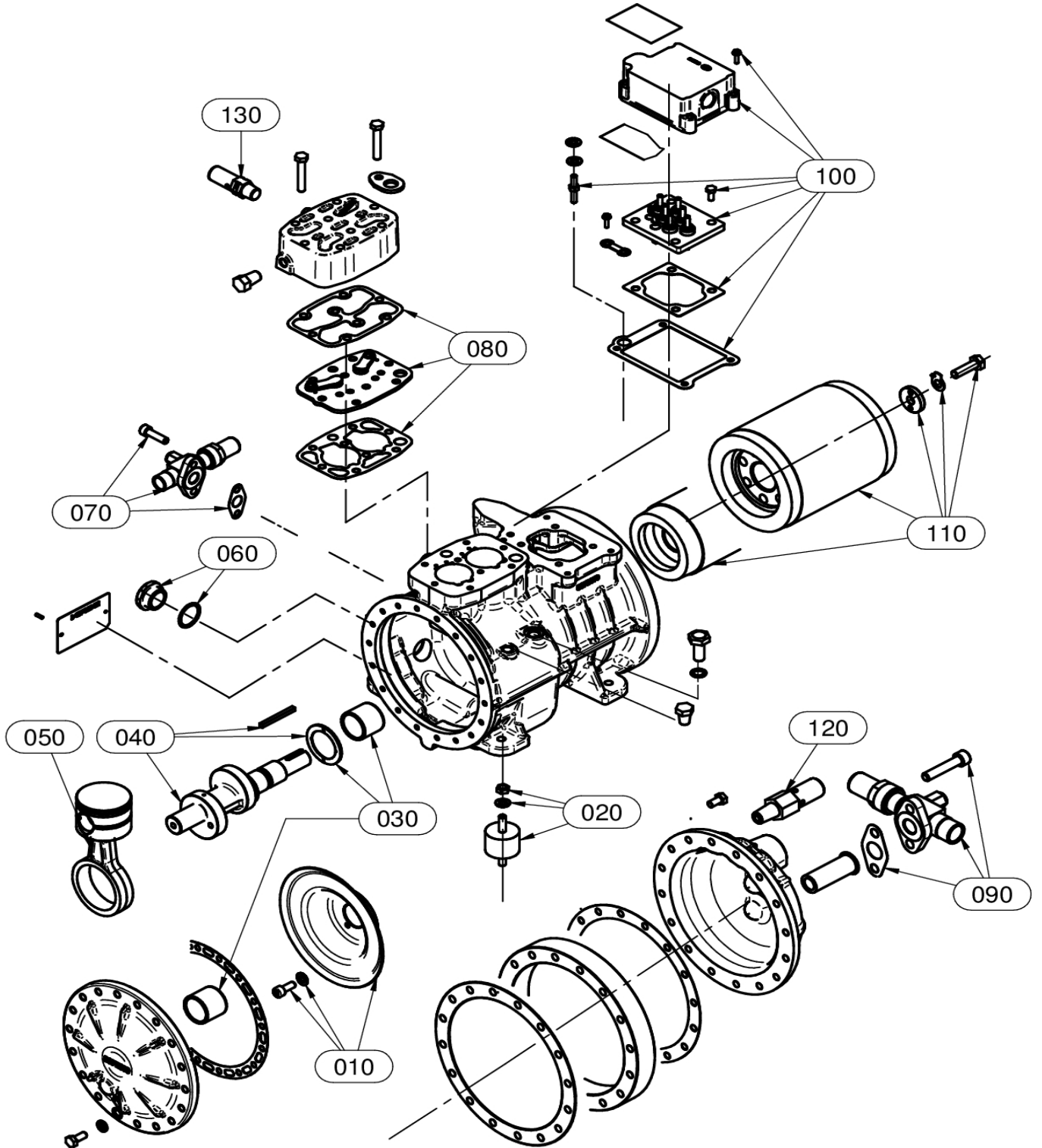


OFFICINE MARIO DORIN SINCE 1918
DORIN
INNOVATION

M/COMPRESSORE - M/COMPRESSOR

CDS 11

ESPLOSO COMMERCIALE - COMMERCIAL EXPLODED VIEW





OFFICINE MARIO DORIN SINCE 1918
DORIN
INNOVATION

M/COMPRESSORE - M/COMPRESSOR

CDS 11



RIF.	QUANTITA'							CODICE CODE	DESCRIZIONE	DESCRIPTION
	CDS101B	CDS151B	CDS181B	CDS301B	CDS351B	CDS381B	CDS401B			
010	1	1	-	-	-	-	-	1MKD025	Disco sbattiolio	Oil centrifugal disk
010	-	-	1	1	1	1	-	1MKD026	Disco sbattiolio	Oil centrifugal disk
010	-	-	-	-	-	-	1	1MKD027	Disco sbattiolio	Oil centrifugal disk
020	1	1	1	1	1	1	1	1CC5024	Kit sospensioni completo	Vibration damper kit complete
030	1	1	1	1	1	1	1	1CKJ012	Kit bronzine + rasamento	Bushing + thrust kit
040	1	-	-	-	-	-	-	1MKA215	Albero completo c.12	Complete shaft c.12
040	-	1	-	-	-	-	-	1MKA216	Albero completo c.16	Complete shaft c.16
040	-	-	1	-	-	-	-	1MKA217	Albero completo c.22	Complete shaft c.22
040	-	-	-	1	-	-	-	1MKA213	Albero completo c.22	Complete shaft c.22
040	-	-	-	-	1	-	-	1MKA218	Albero completo c.28	Complete shaft c.28
040	-	-	-	-	-	1	-	1MKA214	Albero completo c.28	Complete shaft c.28
040	-	-	-	-	-	-	1	1MKA219	Albero completo c.34	Complete shaft c.34
050	2	-	-	-	-	-	-	1MCDB78	Kit biella - pistone D.34	Conn.rod - piston complete D.34
050	-	2	-	-	-	-	-	1MCDB79	Kit biella - pistone D.34	Conn.rod - piston complete D.34
050	-	-	2	-	-	-	-	1MCDB80	Kit biella - pistone D.34	Conn.rod - piston complete D.34
050	-	-	-	2	-	-	-	1MCDB81	Kit biella - pistone D.38	Conn.rod - piston complete D.38
050	-	-	-	-	2	-	-	1MCDB87	Kit biella - pistone D.38	Conn.rod - piston complete D.38
050	-	-	-	-	-	2	-	1MCDB82	Kit biella - pistone D.42	Conn.rod - piston complete D.42
050	-	-	-	-	-	-	2	1MCDB84	Kit biella - pistone D.42	Conn.rod - piston complete D.42
060	1	1	1	1	1	1	1	1CCQ020	Spia olio completa	Oil sight glass
070	1	1	1	1	1	-	-	1RKC028	Rubinetto di mandata D14	Discharge service valve D14
070	-	-	-	-	-	1	1	1RKC026	Rubinetto di mandata D16	Discharge service valve D16
080	1	1	1	-	-	-	-	1PKP110	Piastra valvole completa	Complete valve plate
080	-	-	-	1	1	-	-	1PKP111	Piastra valvole completa	Complete valve plate
080	-	-	-	-	-	1	1	1PKP112	Piastra valvole completa	Complete valve plate
090	1	1	1	1	1	1	1	1RKA025	Rubinetto aspirazione D16	Suction service valve D16
100	1	1	1	1	1	1	1	1RKJ070	Scatola att.el.+piastra	Electrical box and plate
110	1	-	-	-	-	-	-	1RKK022	Roto-statore 220/380/3/50 1HP	Stator-rotor 220/380/3/50 1HP
110	-	1	-	-	-	-	-	1RKK023	Roto-statore 220/380/3/50 1,5HP	Stator-rotor 220/380/3/50 1,5 HP
110	-	-	1	-	-	-	-	1RKK024	Roto-statore 220/380/3/50 1,8HP	Stator-rotor 220/380/3/50 1,8HP
110	-	-	-	1	-	-	-	1RKK025	Roto-statore 220/380/3/50 3HP	Stator-rotor 220/380/3/50 3HP
110	-	-	-	-	1	-	-	1RKK027	Roto-statore 220/380/3/50 3,5HP	Stator-rotor 220/380/3/50 3,5HP
110	-	-	-	-	-	1	1	1RKK088	Roto-statore 220/380/3/50 3,8HP	Stator-rotor 220/380/3/50 3,8HP
110	1	-	-	-	-	-	-	1RKK077	Roto-statore 220/380/3/60 1,2HP	Stator-rotor 220/380/3/60 1,2HP
110	-	1	-	-	-	-	-	1RKK079	Roto-statore 220/380/3/60 1,8HP	Stator-rotor 220/380/3/60 1,8HP
110	-	-	1	-	-	-	-	1RKK081	Roto-statore 220/380/3/60 2,2HP	Stator-rotor 220/380/3/60 2,2HP
110	-	-	-	1	-	-	-	1RKK083	Roto-statore 220/380/3/60 3,6HP	Stator-rotor 220/380/3/60 3,6 HP
110	-	-	-	-	1	-	-	1RKK085	Roto-statore 220/380/3/60 4,2HP	Stator-rotor 220/380/3/60 4,2 HP
110	-	-	-	-	-	1	1	1RKK092	Roto-statore 220/380/3/60 4,6 HP	Stator-rotor 220/380/3/60 4,6 HP
120	1	1	1	1	1	1	1	2PJ7050	Valvola sicurezza BP 40 BAR	Safety valve LP 40 BAR
130	1	1	1	1	1	1	1	2PJ9050	Valvola sicurezza AP 53 BAR	Safety valve HP 53 BAR



OFFICINE MARIO DORIN SINCE 1918
DORIN
INNOVATION

M/COMPRESSORE - M/COMPRESSOR
CDS 11



RIF.	QUANTITA'							CODICE CODE	DESCRIZIONE	DESCRIPTION
	CDS101B	CDS151B	CDS181B	CDS301B	CDS351B	CDS381B	CDS401B			

ACCESSORI - ACCESSORIES

	1	1	1	-	-	-	-	1CCM160	Serie completa guarnizioni D.34	Complete gasket set D.34
	-	-	-	1	1	-	-	1CCM161	Serie completa guarnizioni D.38	Complete gasket set D.38
	-	-	-	-	-	1	1	1CCM165	Serie completa guarnizioni D.42	Complete gasket set D.42
	1	1	1	1	1	1	1	1CCT050	Testa raffreddata ad acqua	Water-cooled head
	1	1	1	1	1	1	1	1ACS827	Ventilatore ausiliario	Auxiliary head fan
	1	1	1	1	1	1	1	2EG2020	Resistenza carter 220V	Crankcase heater 220V
	1	1	1	1	1	1	1	2EG1050	Resistenza carter 110V	Crankcase heater 110V
	1	1	1	1	1	1	1	2EG1080	Resistenza carter 24V	Crankcase heater 24V
	1	1	1	1	1	1	1	2CC4010	Modulo per termistori	Thermistors module



OFFICINE MARIO DORIN SINCE 1918
DORIN
INNOVATION

OFFICINE MARIO DORIN S.p.A.
Via Aretina 388, 50061 Compiobbi - Florence, Italy
Tel. +39 055 62321 1 - Fax +39 055 62321 380

dorin@dorin.com
www.dorin.com

CDS 11 COMM. REV. 02