



OFFICINE MARIO DORIN SINCE 1918  
**DORIN**<sup>®</sup>  
INNOVATION

# RICAMBI

SPARE PARTS

**CDS41**  
SERIES  
2015

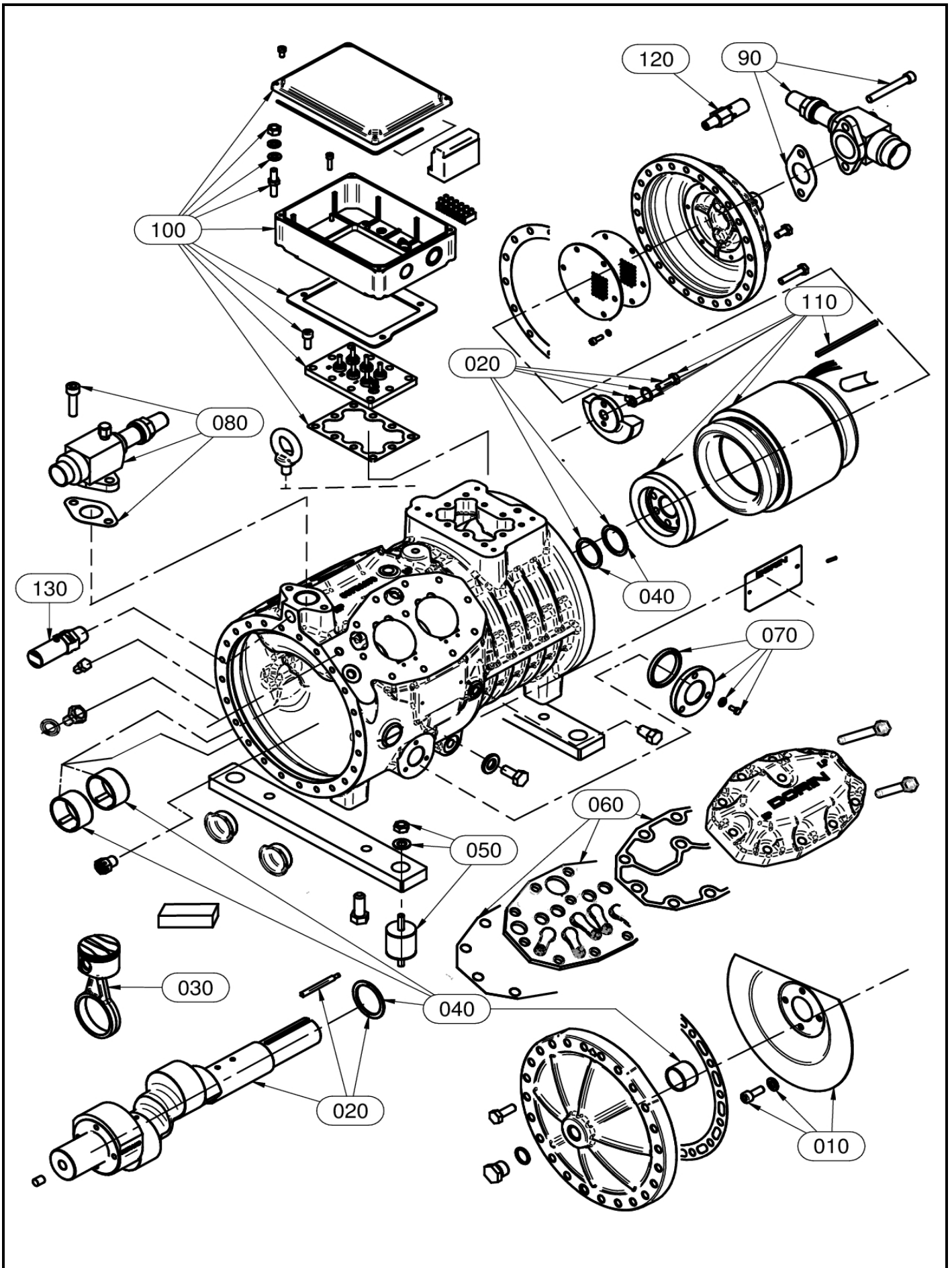


**CO<sub>2</sub> COMPRESSORS FOR SUB-CRITICAL APPLICATIONS**  
COMPRESSORI CO<sub>2</sub> PER APPLICAZIONI SUB-CRITICHE



OFFICINE MARIO DORIN SINCE 1918  
**DORIN**  
INNOVATION

M/COMPRESSORE - M/COMPRESSOR  
**CDS 41**  
ESPLOSO COMMERCIALE - COMMERCIAL EXPLODED VIEW





OFFICINE MARIO DORIN SINCE 1918  
**DORIN**  
INNOVATION

M/COMPRESSORE - M/COMPRESSOR

**CDS 41**



RIF.	QUANTITA'				CODICE CODE	DESCRIZIONE	DESCRIPTION
	CDS1501B	CDS2001B	CDS2401B	CDS2501B			

010	1	1	1	1	1MKD042	Disco sbattiolio	Oil centrifugal disk
020	1	1	-	-	1MKA315	Albero completo c.31	Complete shaft c.31
020	-	-	1	1	1MKA316	Albero completo c.45	Complete shaft c.45
030	4	-	-	-	1MCDC03	Kit biella - pistone D.59	Conn.rod - piston complete D.59
030	-	4	-	-	1MCDC04	Kit biella - pistone D.63	Conn.rod - piston complete D.63
030	-	-	4	-	1MCDC05	Kit biella - pistone D.59	Conn.rod - piston complete D.59
030	-	-	-	4	1MCDC06	Kit biella - pistone D.63	Conn.rod - piston complete D.63
040	1	1	1	1	1CKJ029	Kit bronzine + rasamento	Bushing + thrust kit
050	1	1	1	1	1CC5042	Kit sospensioni completo	Vibration damper kit complete
060	2	2	2	2	1PKP083	Piastra valvole completa	Complete valve plate
070	1	1	1	1	1CCQ013	Spia olio completa	Oil sight glass
080	1	1	1	1	1RKC052	Rubinetto di mandata D28	Discharge service valve D28
090	1	-	-	-	1RKA068	Rubinetto aspirazione D35	Suction service valve D35
090	-	1	1	1	1RKA090	Rubinetto aspirazione D42	Suction service valve D42
100	1	-	-	-	1RKJ038	Scatola att.el.+piastra	Electrical box and plate
100	-	1	1	1	1RKJ041	Scatola att.el.+piastra	Electrical box and plate
110	1	-	-	-	1RKM146	Roto-statore 380/420/3/50 15HP PWS	Stator-rotor 380/420/3/50 15HP PWS
110	-	1	-	-	1RKM147	Roto-statore 380/420/3/50 20HP PWS	Stator-rotor 380/420/3/50 20HP PWS
110	-	-	1	1	1RKM148	Roto-statore 380/420/3/50 25HP PWS	Stator-rotor 380/420/3/50 25HP PWS
110	1	-	-	-	1RKM158	Roto-statore 440/480/3/60 18HP PWS	Stator-rotor 440/480/3/60 18HP PWS
110	-	1	-	-	1RKM159	Roto-statore 440/480/3/60 24HP PWS	Stator-rotor 440/480/3/60 24HP PWS
110	-	-	1	1	1RKM160	Roto-statore 440/480/3/60 30HP PWS	Stator-rotor 440/480/3/60 30HP PWS
120	1	1	1	1	2PJ7050	Valvola sicurezza BP 40 BAR	Safety valve LP 40 BAR
130	1	1	1	1	2PJ9050	Valvola sicurezza AP 53 BAR	Safety valve HP 53 BAR

#### ACCESSORI - ACCESSORIES

	1	1	1	1	1CCM142	Serie completa guarnizioni D.59 - 63	Complete gasket set D.59 - 63
	2	2	2	2	1CCT044	Testa raffreddata ad acqua	Water-cooled head
	1	1	1	1	1ACS819	Ventilatore ausiliario	Auxiliary head fan
	1	1	1	1	2EG2020	Resistenza carter 220V	Crankcase heater 220V
	1	1	1	1	2EG1050	Resistenza carter 110V	Crankcase heater 110V
	1	1	1	1	2EG1080	Resistenza carter 24V	Crankcase heater 24V
	1	1	1	1	2CC4010	Modulo per termistori	Thermistors module
	1	1	1	1	2CG1040	Sensore ottico livello olio	Oil level sensor

#### NOTE / NOTES



OFFICINE MARIO DORIN SINCE 1918  
**DORIN**<sup>®</sup>  
INNOVATION

OFFICINE MARIO DORIN S.p.A.  
Via Aretina 388, 50061 Compiobbi - Florence, Italy  
Tel. +39 055 62321 1 - Fax +39 055 62321 380

[dorin@dorin.com](mailto:dorin@dorin.com)  
[www.dorin.com](http://www.dorin.com)