



OFFICINE MARIO DORIN SINCE 1918

DORIN[®]
INNOVATION

RICAMBI

SPARE PARTS

APE
SERIES



OPEN TYPE COMPRESSORS

COMPRESSORI TIPO APERTO

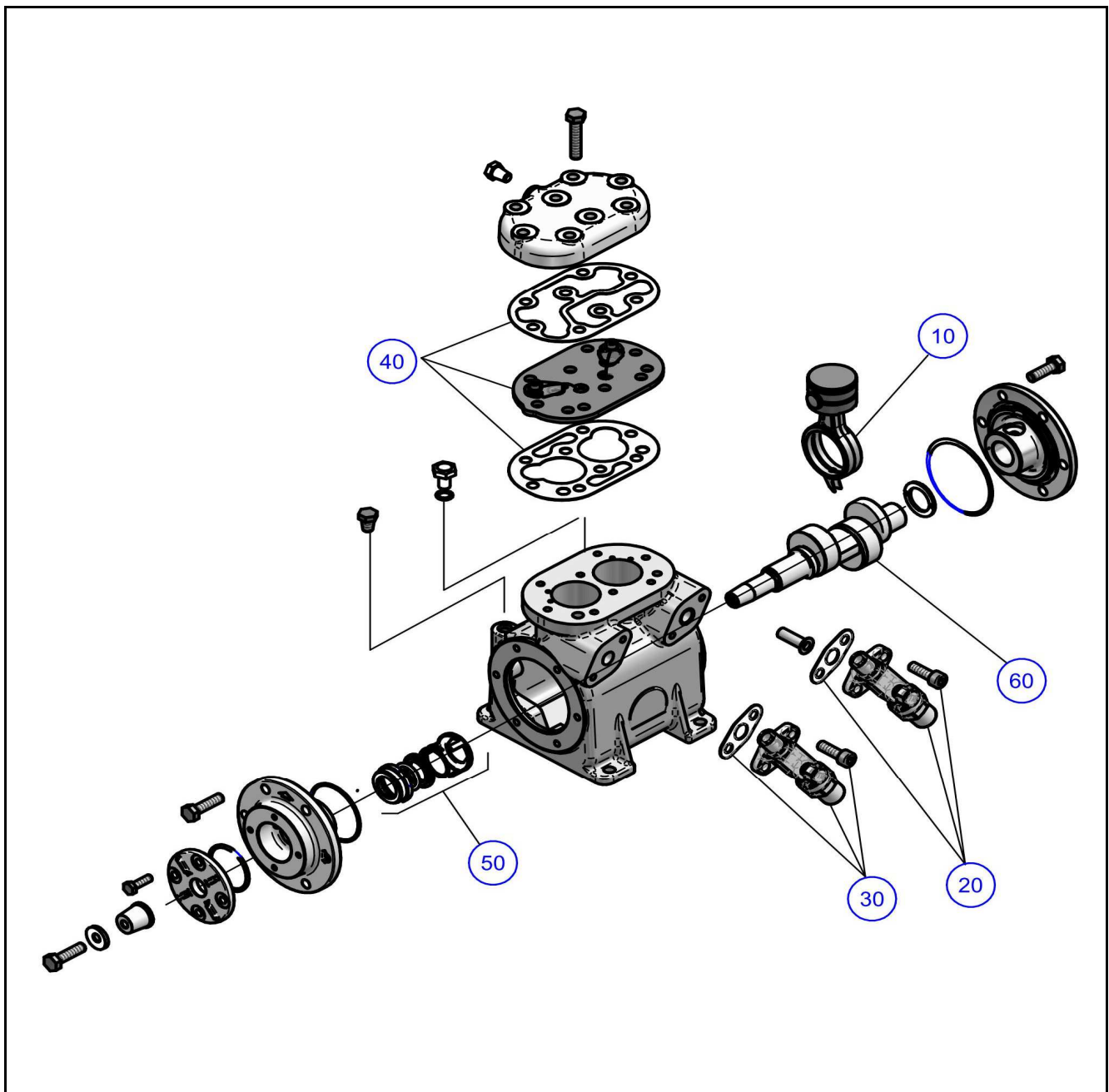


OFFICINE MARIO DORIN SINCE 1918

DORIN
INNOVATION

COMPRESSORE / COMPRESSOR
2Q

RIF.	Q.TY	CODICE - CODE	DESCRIZIONE	DESCRIPTION
10	2	1MCD034	Kit biella pistone completo 2Q 2	Complete Conn.rod-piston 2Q2
10	2	1MCD035	Kit biella pistone completo 2Q 3-4-5	Complete Conn.rod-piston 2Q 3-4-5
20	1	1RKC137	Rubinetto compressione 2Q4-5	Discharge service valve 2Q4-5
20	1	1RKC136	Rubinetto compressione 2Q2-3	Discharge service valve 2Q2-3
30	1	1RKC137	Rubinetto aspirazione 2Q4-5	Suction service valve 2Q4-5
30	1	1RKC136	Rubinetto aspirazione 2Q2-3	Suction service valve 2Q2-3
40	1	1PCB520	Piastra valvole completa	Complete valve plate
50	1	1TCC042	Premistoppa + flangia	Shaft seal with flange
60	1	1MKA812	Albero + chiavetta 2Q2 c12	Complete shaft 2Q2 s12
60	1	1MKA814	Albero + chiavetta 2Q3 c15	Complete shaft 2Q3 s15
60	1	1MKA810	Albero + chiavetta 2Q4 c 19	Complete shaft 2Q4 s19
60	1	1MKA811	Albero + chiavetta 2Q5 c 24	Complete shaft 2Q5 s 24
	1	1CCM042	Kit guarnizioni	Complete gasket kit

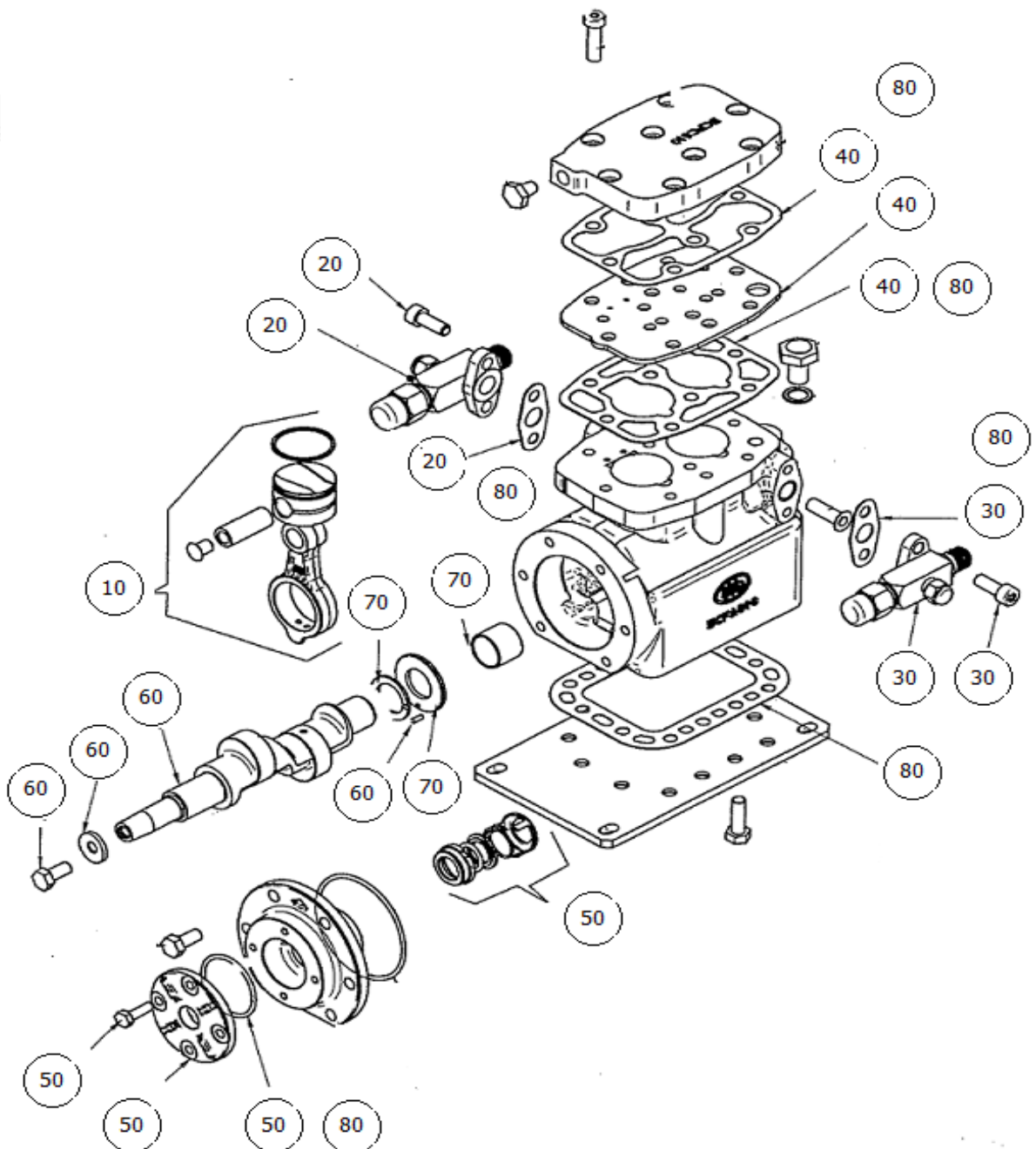




OFFICINE MARIO DORIN SINCE 1918
DORIN
INNOVATION

COMPRESSORE / COMPRESSOR
0T

RIF.	Q.TY	CODICE - CODE	DESCRIZIONE	DESCRIPTION
10	2	1MCDDB43	Kit biella pistone completo	Conn.rod-piston complete
20	1	1RKA205	Rubinetto compressione	Discharge service valve
30	1	1RKA206	Rubinetto aspirazione	Suction service valve
40	1	1PCB522	Piastra valvole complete	Complete valve plate
50	1	1TCC042	Premistoppa + flangia	Shaft seal with flange
60	1	1MKA817	Albero + chiavetta	Complete shaft
70	1	1CKJ547	Kit bronzine + rasamento	Bushing + thrust kit
80	1	1CCM530	Kit guarnizioni	Complete gasket kit

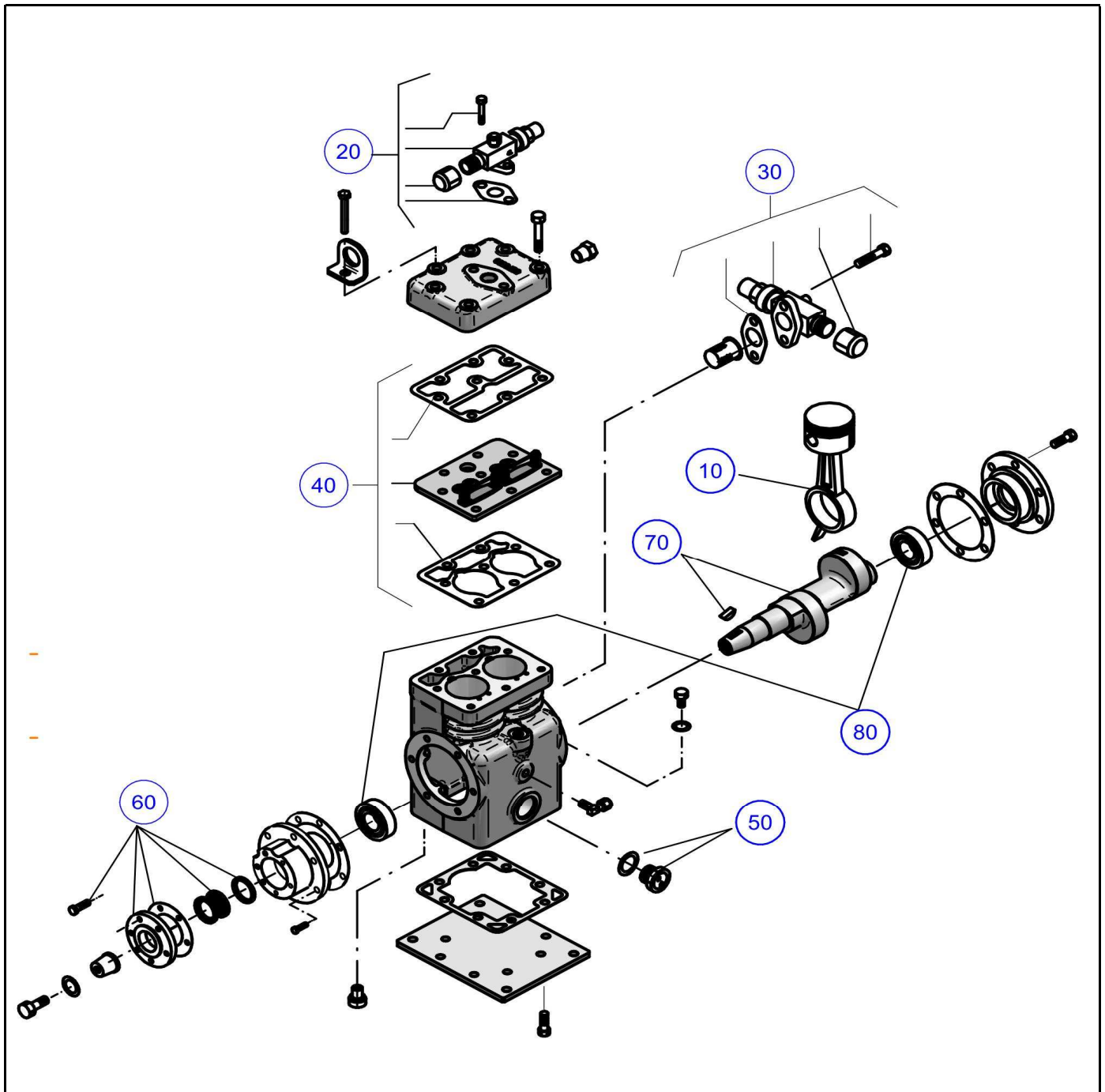




OFFICINE MARIO DORIN SINCE 1918
DORIN
INNOVATION

COMPRESSORE / COMPRESSOR
1HVS

RIF.	Q.TY	CODICE - CODE	DESCRIZIONE	DESCRIPTION
10	2	1MCD087	Kit biella pistone completo	Conn.rod-piston complete
20	1	1RKC140	Rubinetto compressione	Discharge service valve
30	1	1RKA207	Rubinetto aspirazione	Suction service valve
40	1	1PCB501	Piastra valvole completa	Complete valve plate
50	1	1CCQ501	Spia olio	Oil sight glass
60	1	1TCC504	Premistoppa + flangia	Shaft seal with flange
70	1	1MKA802	Albero + chiavetta	Complete shaft
80	1	1CKX032	Kit cuscinetti	Rolling bearing
	1	1CCM501	Kit guarnizioni	Complete gasket kit
	1	2EC1080	Riscaldatore olio	Crank case heater
	1	1MCM011	Frizione elettromagnetica	Magnetic clutch

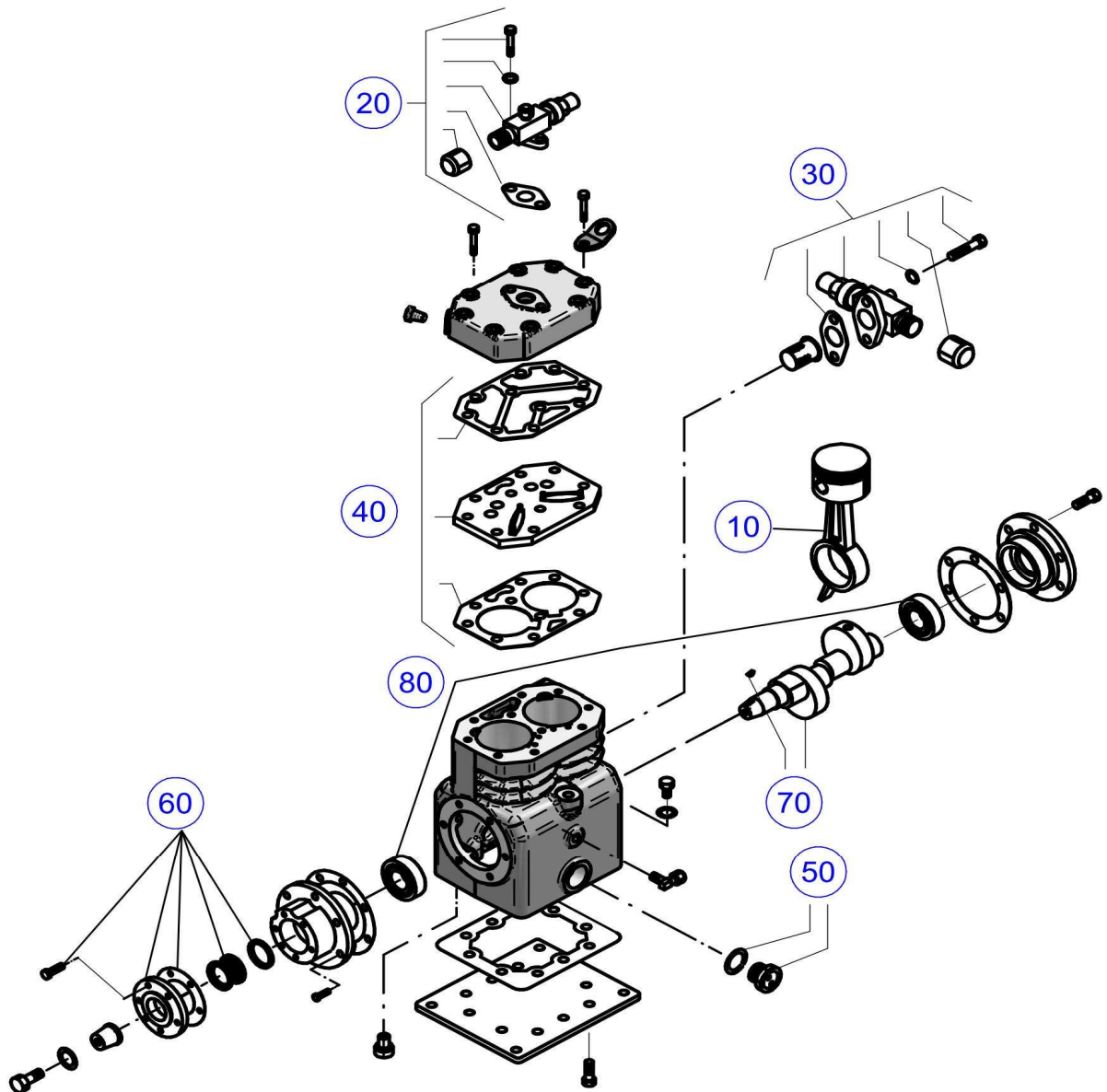




OFFICINE MARIO DORIN SINCE 1918
DORIN
INNOVATION

COMPRESSORE / COMPRESSOR
2GVS

RIF.	Q.TY	CODICE - CODE	DESCRIZIONE	DESCRIPTION
10	2	1MCD088	Kit biella pistone completo	Conn.rod-piston complete
20	1	1RKC141	Rubinetto compressione	Discharge service valve
30	1	1RKA208	Rubinetto aspirazione	Suction service valve
40	1	1PCB505	Piastra valvole completa	Complete valve plate
50	1	1CCQ501	Spia olio	Oil sight glass
60	1	1TCC504	Premistoppa + flangia	Shaft seal with flange
70	1	1MKA803	Albero + chiavetta	Complete shaft
80	1	1CKX032	Kit cuscinetti	Rolling bearing
	1	1CCM505	Kit guarnizioni	Complete gasket kit
	1	2EC1080	Riscaldatore olio	Crank case heater
	1	1MCM012	Frizione elettromagnetica	Magnetic clutch

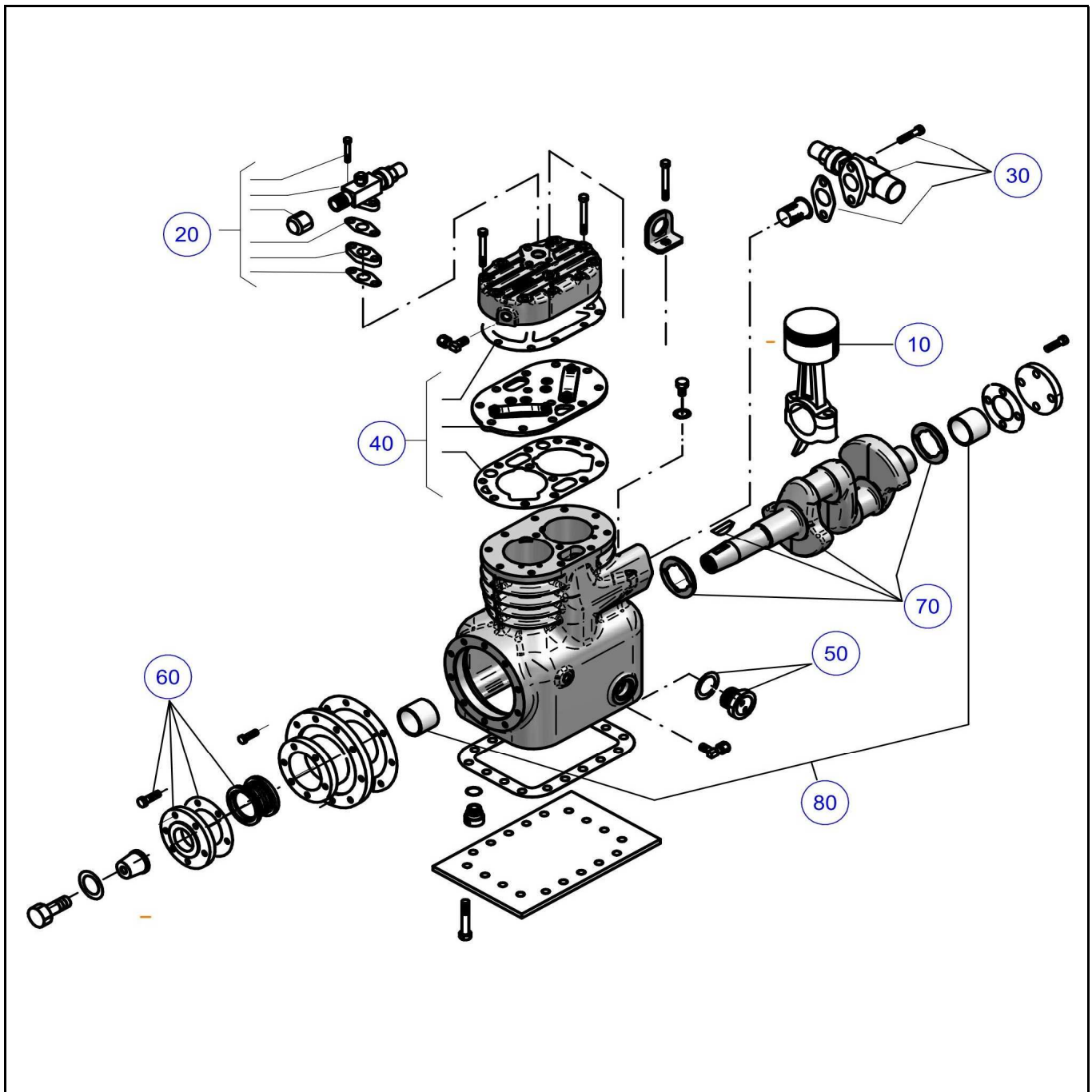




OFFICINE MARIO DORIN SINCE 1918
DORIN
INNOVATION

COMPRESSORE / COMPRESSOR
3LVS

RIF.	Q.TY	CODICE - CODE	DESCRIZIONE	DESCRIPTION
10	2	1MCD030	Kit biella pistone completo	Conn.rod-piston complete
20	1	1RKC142	Rubinetto compressione	Discharge service valve
30	1	1RKA031	Rubinetto aspirazione	Suction service valve
40	1	1PCB008	Piastra valvole completa	Complete valve plate
50	1	1CCQ501	Spia olio	Oil sight glass
60	1	1TCC028	Premistoppa + flangia	Shaft seal with flange
70	1	1MKA804	Albero + chiave	Complete shaft
80	1	1CKJ550	Kit bronzine + rasamento	Bushing + thrust kit
	1	1CCM044	Kit guarnizioni	Complete gasket kit
	1	2EC1030	Riscaldatore olio	Crank case heater

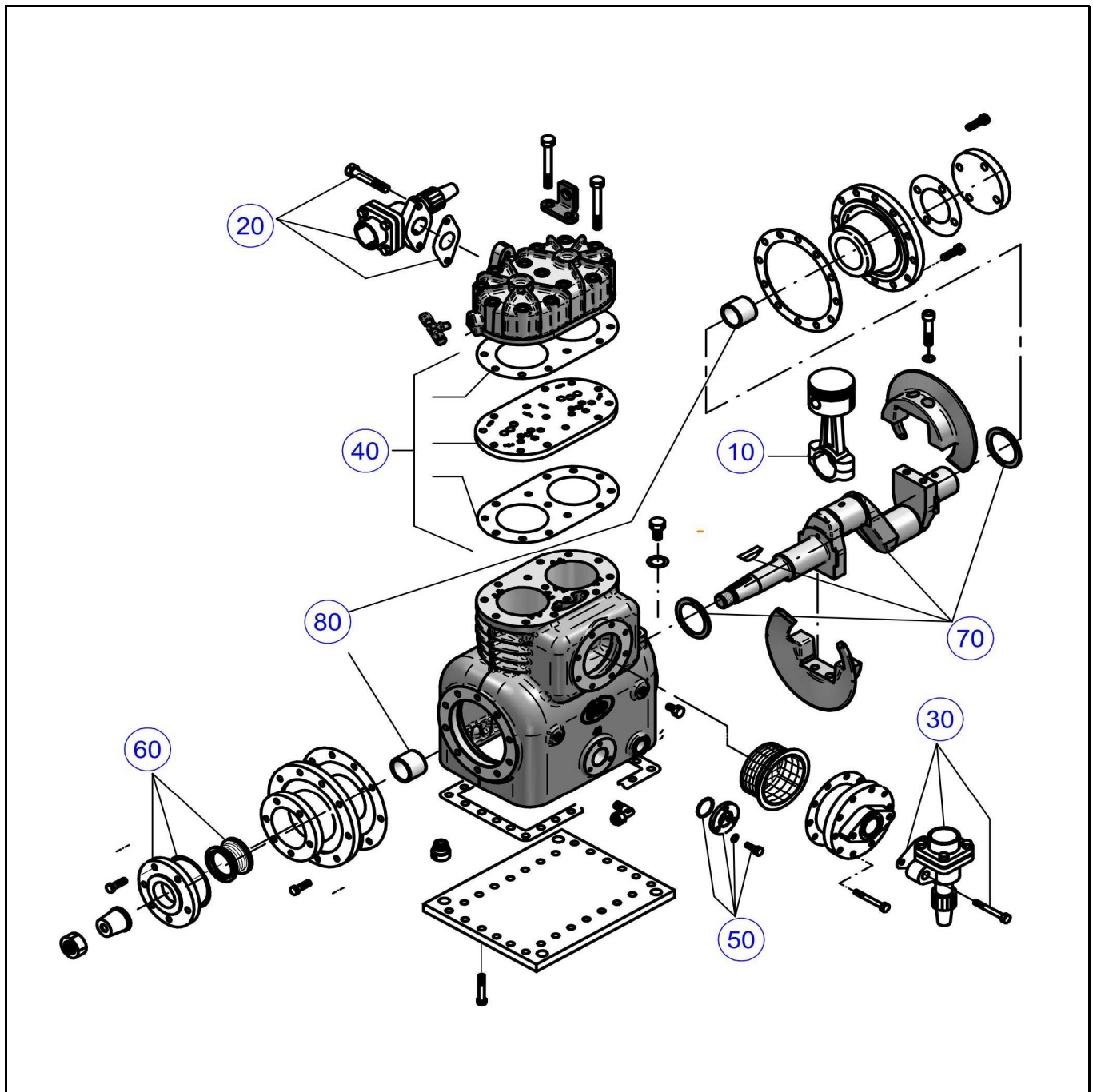




OFFICINE MARIO DORIN SINCE 1918
DORIN
INNOVATION

COMPRESSORE / COMPRESSOR
41VSM - 41VSR

RIF.	Q.TY	CODICE - CODE	DESCRIZIONE	DESCRIPTION
10	2	1MCD010	Kit biella pistone completo	Conn.rod-piston complete
20	1	1RKC143	Rubinetto compressione 41VSR	Discharge service valve 41VSR
20	1	1RKC144	Rubinetto compressione 41VSM	Discharge service valve 41VSM
30	1	1RKC067	Rubinetto aspirazione 41VSR	Suction service valve 41VSR
30	1	1RKC071	Rubinetto aspirazione 41VSM	Suction service valve 41VSM
40	1	1PCB013	Piastra valvole completa	Complete valve plate
50	1	1CCQ010	Spia olio	Oil sight glass
60	1	1TCC024	Premistoppa + flangia	Shaft seal with flange
70	1	1MKA805	Albero+chiav.+rasam.	Complete shaft
80	1	1CKJ551	Kit bronzine + rasamento	Bushing + thrust kit
	1	1CCM023	Kit guarnizioni	Complete gasket kit
	1	2EG2020	Riscaldatore olio	Crank case heater

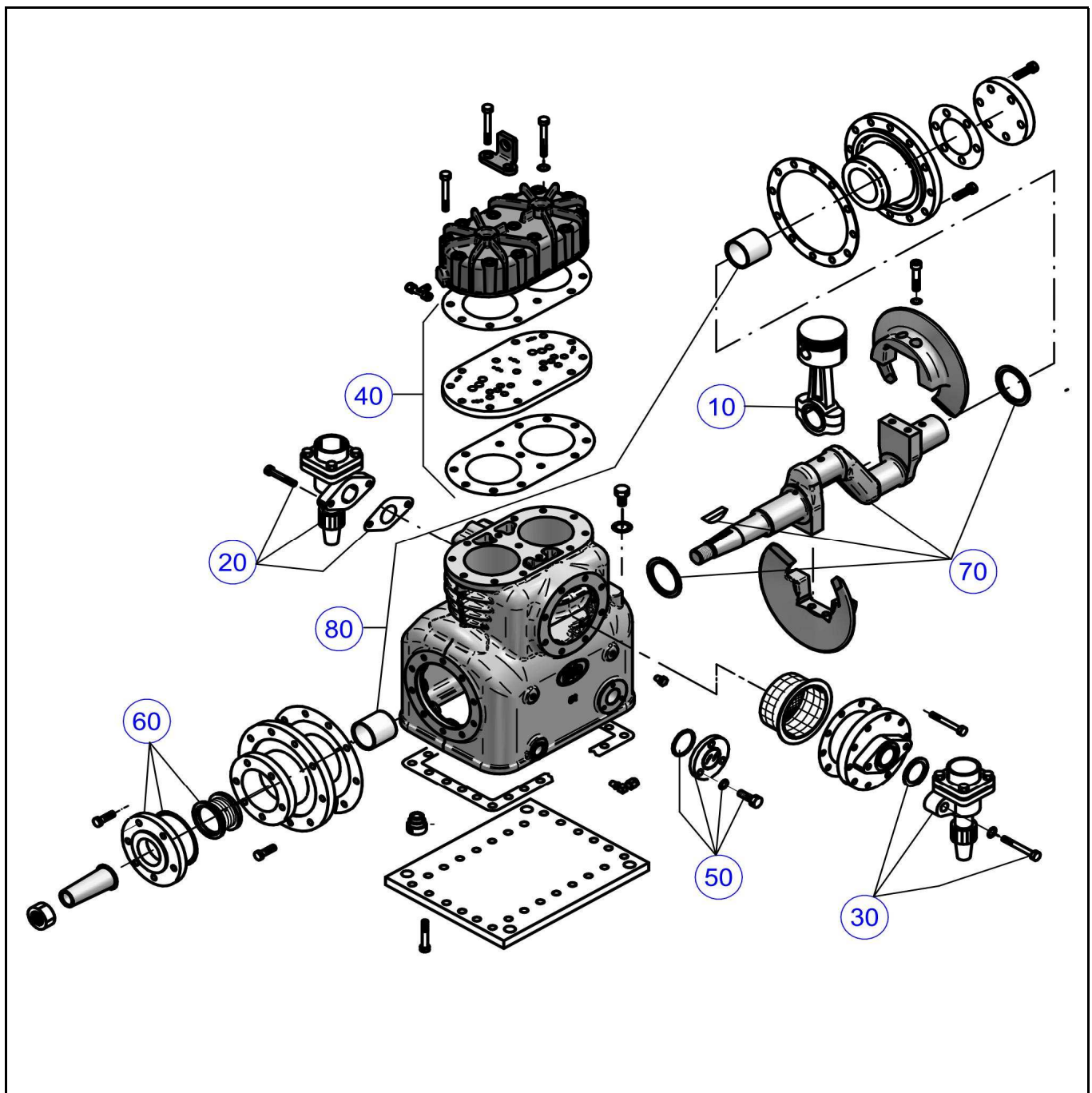




OFFICINE MARIO DORIN SINCE 1918
DORIN
INNOVATION

COMPRESSORE / COMPRESSOR
51VSM - 51VSR

RIF.	Q.TY	CODICE - CODE	DESCRIZIONE	DESCRIPTION
10	1	1MKM020	Kit biella pistone completo	Conn.rod-piston complete
20	1	1RKC071	Rubinetto compressione 51VSM	Discharge service valve 51VSM
20	1	1RKC067	Rubinetto compressione 51VSR	Discharge service valve 51VSR
30	1	1RKA055	Rubinetto aspirazione 51VSM	Suction service valve 51VSM
30	1	1RKC071	Rubinetto aspirazione 51VSR	Suction service valve 51VSR
40	1	1PCB014	Piastra valvole completa	Complete valve plate
50	1	1CCQ010	Spia olio	Oil sight glass
60	1	1TCC025	Premistoppa + flangia	Shaft seal with flange
70	1	1MKA806	Albero+chiav.+rasam.	Complete shaft
80	1	1CKJ552	Kit bronzine + rasamento	Bushing + thrust kit
	1	1CCM026	Kit guarnizioni	Complete gasket kit
	1	2EG2020	Riscaldatore olio	Crank case heater

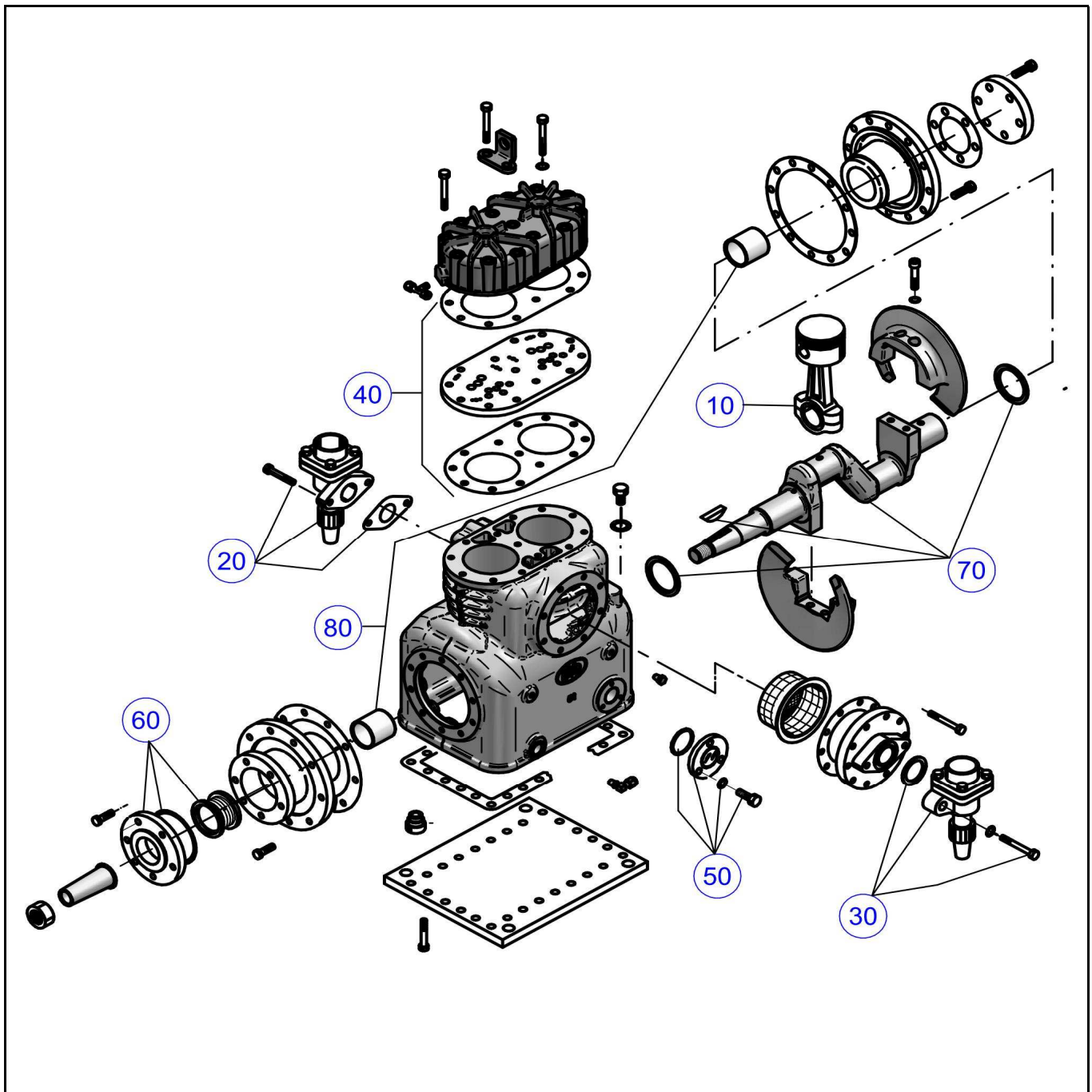




OFFICINE MARIO DORIN SINCE 1918
DORIN
INNOVATION

COMPRESSORE / COMPRESSOR
52VSM - 52VSR

RIF.	Q.TY	CODICE - CODE	DESCRIZIONE	DESCRIPTION
10	2	1MCDD06	Kit biella pistone completo	Conn.rod-piston complete
20	1	1RKC071	Rubinetto compressione 52VSM	Discharge service valve 52VSM
20	1	1RKC067	Rubinetto compressione 52VSR	Discharge service valve 52VSR
30	1	1RKA055	Rubinetto aspirazione 52VSM	Suction service valve 52VSM
30	1	1RKC071	Rubinetto aspirazione 52VSR	Suction service valve 52VSR
40	1	1PCB014	Piastra valvole completa	Complete valve plate
50	1	1CCQ010	Spia olio	Oil sight glass
60	1	1TCC025	Premistoppa + flangia	Shaft seal with flange
70	1	1MKA806	Albero+chiav.+rasam.	Complete shaft
80	1	1CKJ552	Kit bronzine + rasamento	Bushing + thrust kit
	1	1CCM026	Kit guarnizioni	Complete gasket kit
	1	2EG2020	Riscaldatore olio	Crank case heater

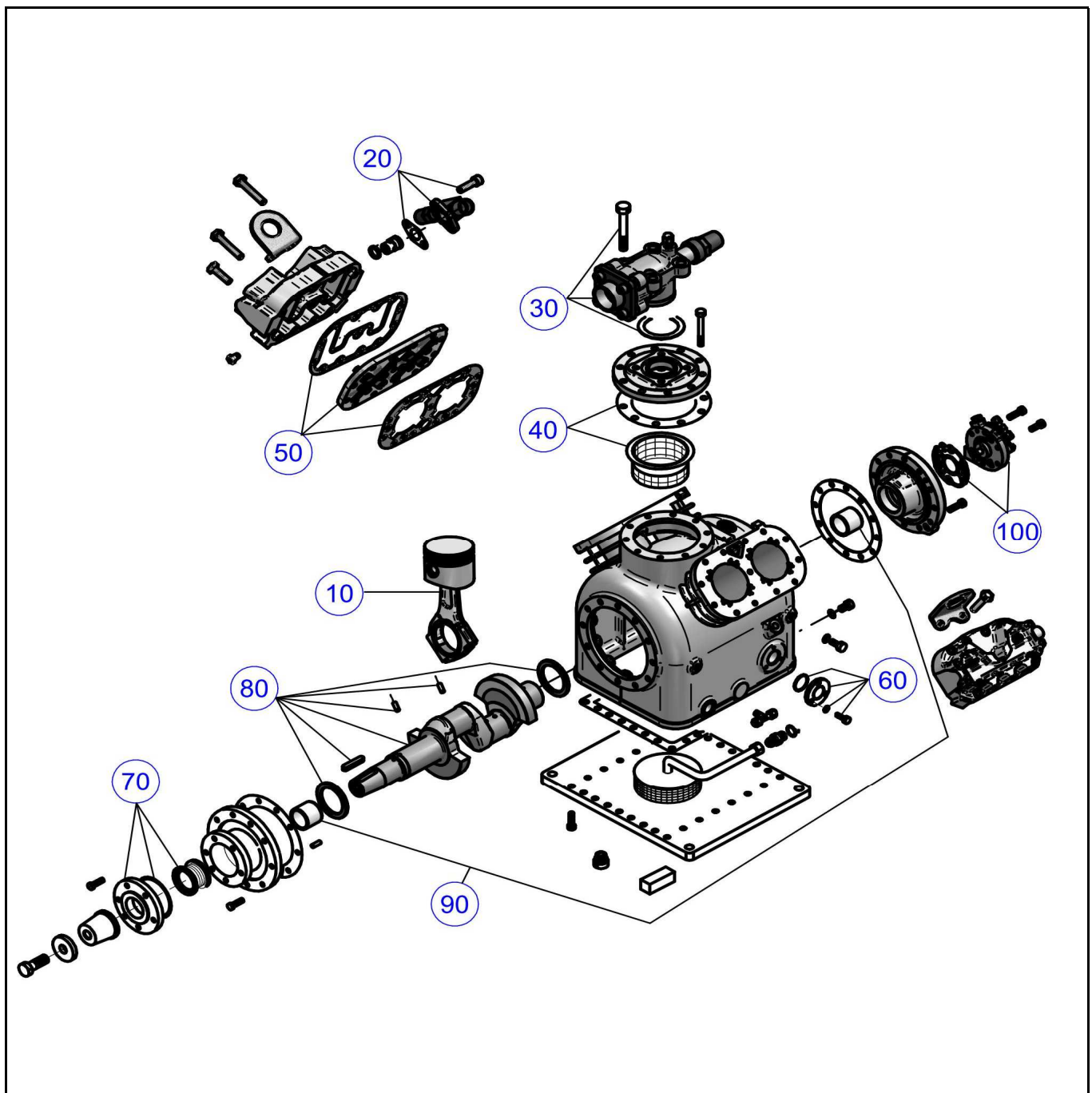




OFFICINE MARIO DORIN SINCE 1918
DORIN
INNOVATION

COMPRESSORE / COMPRESSOR
62VS

RIF.	Q.TY	CODICE - CODE	DESCRIZIONE	DESCRIPTION
10	4	1MCD011	Kit biella pistone completo	Conn.rod-piston complete
20	1	1RKA035	Rubinetto compressione	Discharge service valve
30	1	1RKA055	Rubinetto aspirazione	Suction service valve
40	1	1CKF141	Filtro aspirazione + guarnizione	Suction filter + gasket
50	2	1PCB011	Piastra valvole completa	Complete valve plate
60	1	1CCQ010	Spia olio	oil sight glass
70	1	1TCC030	Premistoppa + flangia	Shaft seal with flange
80	1	1MKA807	Albero + chiavetta+rasamento	Complete shaft
90	1	1CKJ553	Kit bronzine + rasamento	Bushing + thrust kit
100	1	1LKF020	Pompa olio + filtro	Oil pump + filter
	1	1CCM009	Kit guarnizioni	Complete gasket kit
	1	2EG2020	Riscaldatore olio	Crank case heater

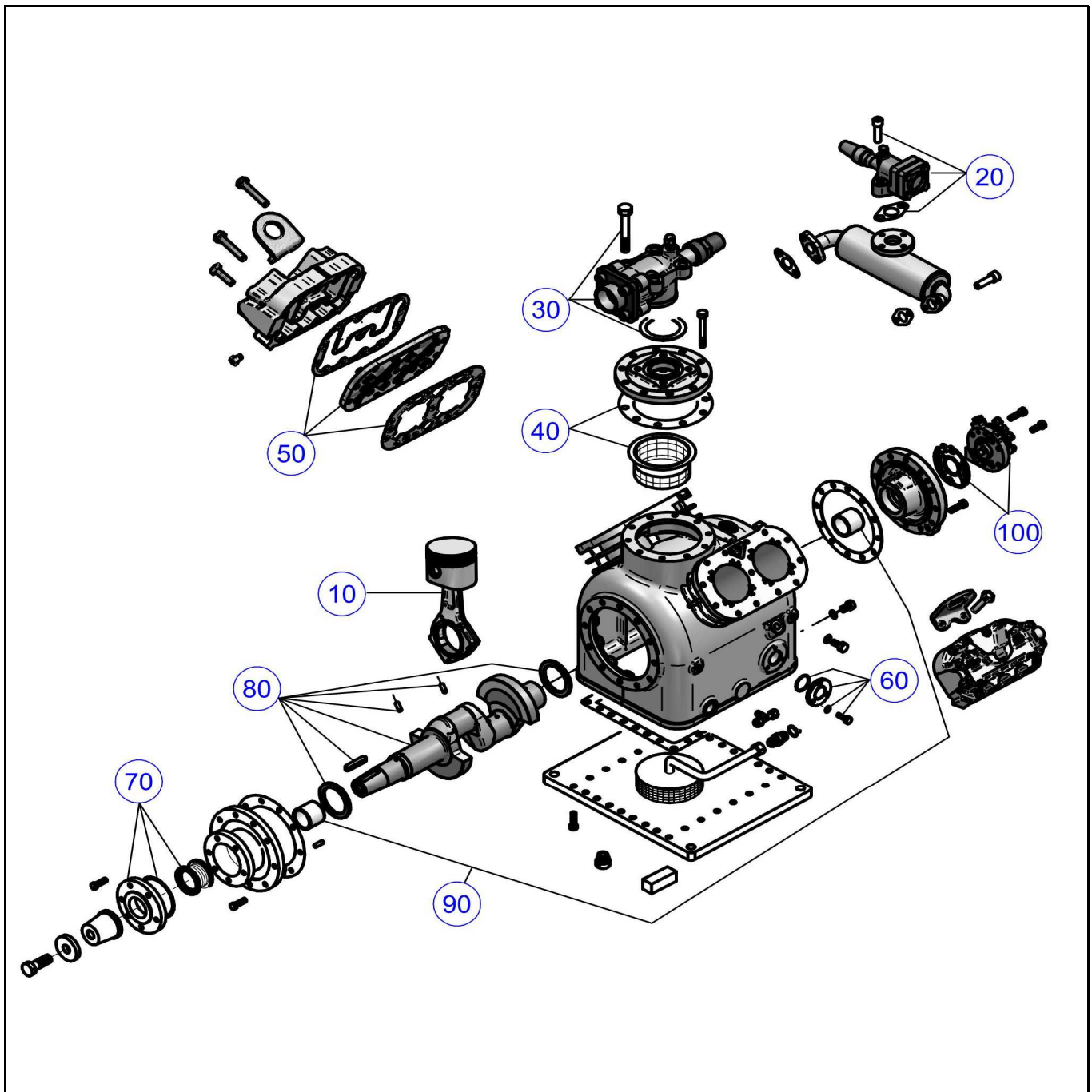




OFFICINE MARIO DORIN SINCE 1918
DORIN
INNOVATION

COMPRESSORE / COMPRESSOR
67VS

RIF.	Q.TY	CODICE - CODE	DESCRIZIONE	DESCRIPTION
10	4	1MCD095	Kit biella pistone completo	Conn.rod-piston complete
20	1	1RKC146	Rubinetto compressione	Discharge service valve
30	1	1RKA213	Rubinetto aspirazione	Suction service valve
40	1	1CKF141	Filtro aspirazione + guarnizione	Suction filter + gasket
50	2	1PCB050	Piastra valvole completa	Complete valve plate
60	1	1CCQ010	Spia olio	oil sight glass
70	1	1TCC030	Premistoppa + flangia	Shaft seal with flange
80	1	1MKA808	Albero + chiavetta+rasamento	Complete shaft
90	1	1CKJ553	Kit bronzine + rasamento	Bushing + thrust kit
100	1	1LKF020	Pompa olio + filtro	Oil pump + filter
	1	1CCM040	Kit guarnizioni	Complete gasket kit
	1	2EG2020	Riscaldatore olio	Crank case heater

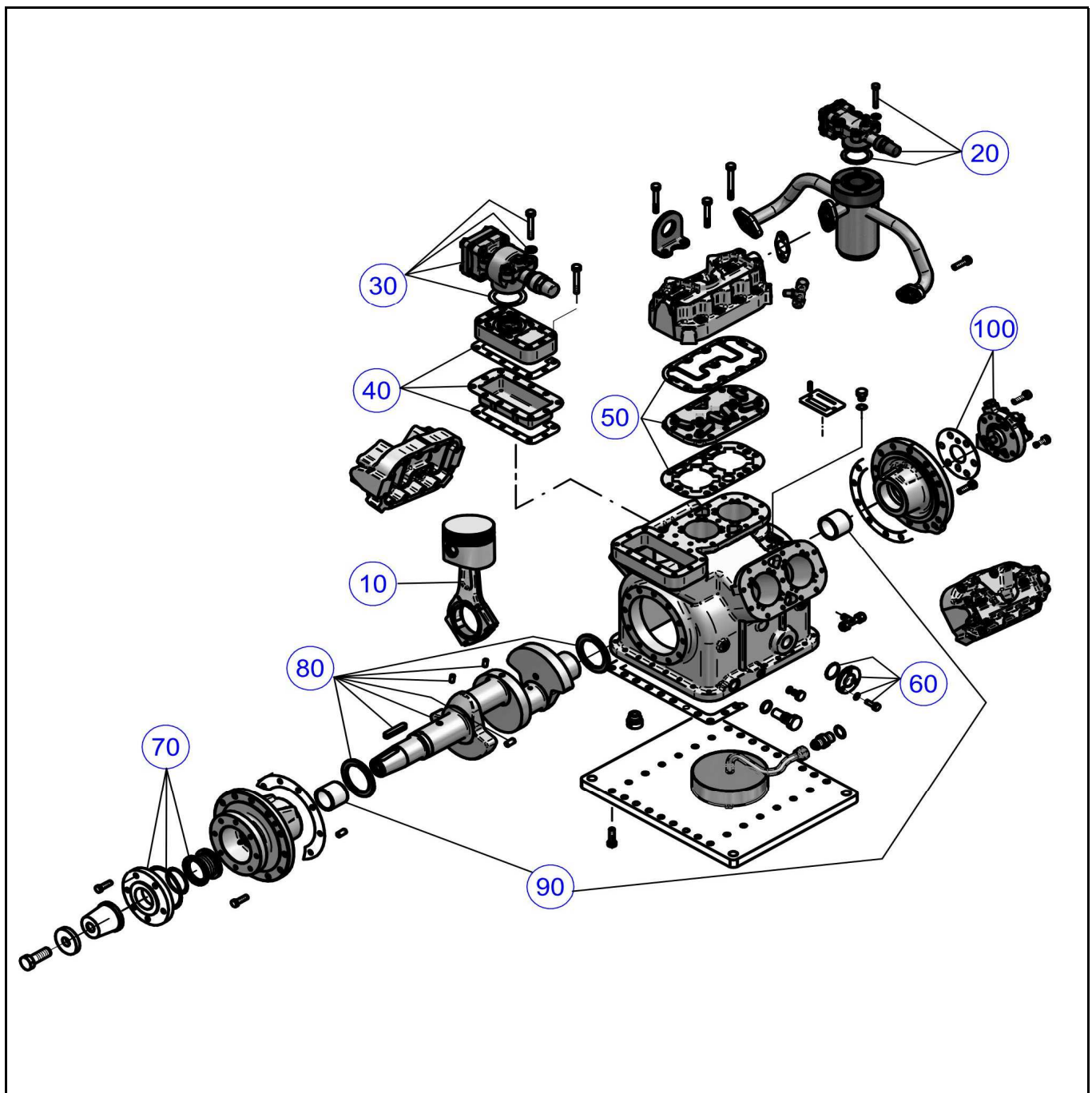




OFFICINE MARIO DORIN SINCE 1918
DORIN
INNOVATION

COMPRESSORE / COMPRESSOR
80VS

RIF.	Q.TY	CODICE - CODE	DESCRIZIONE	DESCRIPTION
10	6	1MCD011	Kit biella pistone completo	Conn.rod-piston complete
20	1	1RKC147	Rubinetto compressione	Discharge service valve
30	1	1RKC083	Rubinetto aspirazione	Suction service valve
40	1	1CKF142	Filtro aspirazione + guarnizione	Suction filter + gasket
50	3	1PCB011	Piastra valvole completa	Complete valve plate
60	1	1CCQ010	Spia olio	Oil sight glass
70	1	1TCC030	Premistoppa + flangia	Shaft seal with flange
80	1	1MKA809	Albero + chiavetta+rasamento	Complete shaft
90	1	1CKJ553	Kit bronzine + rasamento	Bushing + thrust kit
100	1	1LKF020	Pompa olio + filtro	Oil pump + filter
	1	1CCM029	Kit guarnizioni	Complete gasket kit
	1	2EG2020	Riscaldatore olio	Crank case heater



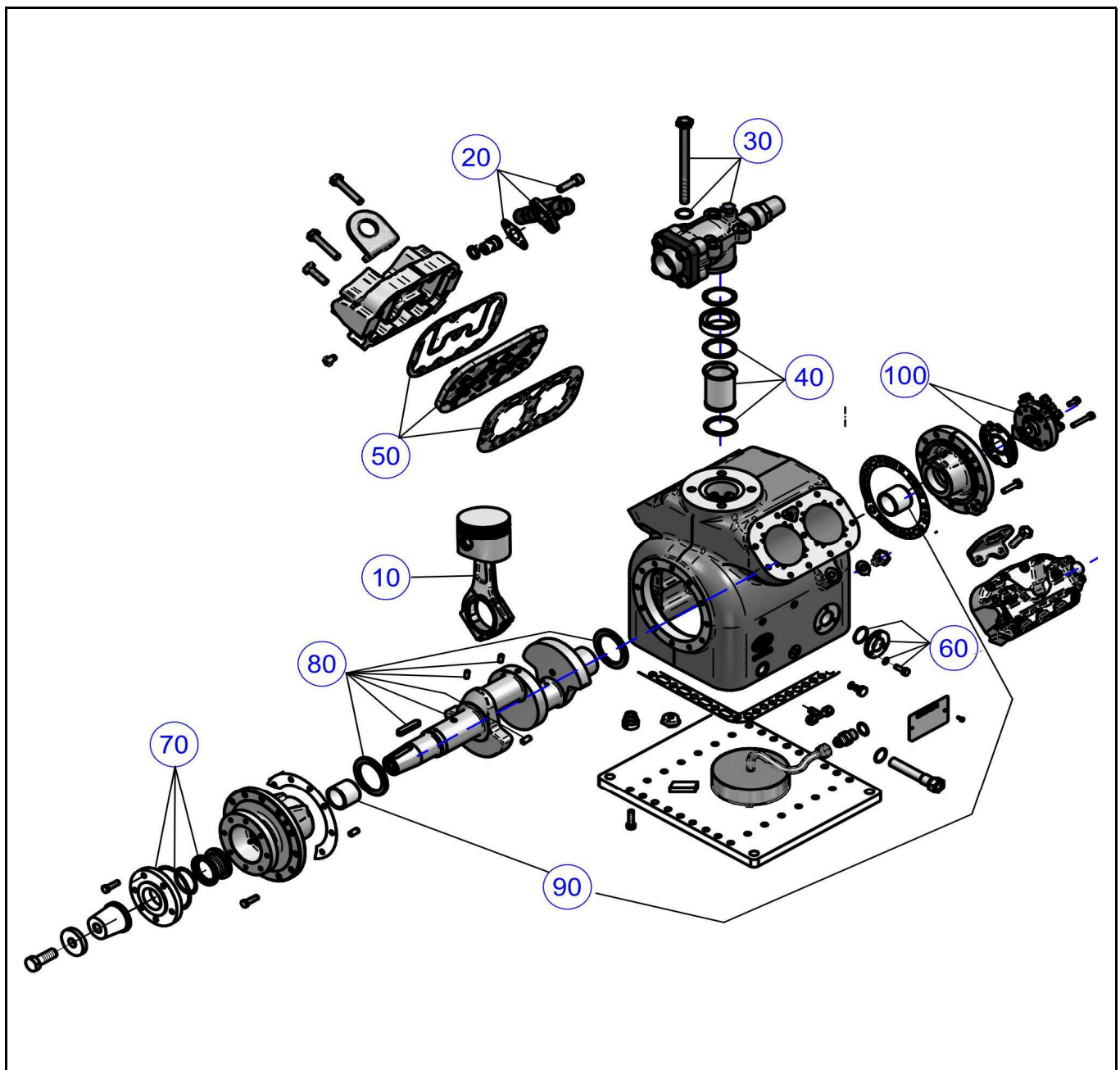


OFFICINE MARIO DORIN SINCE 1918
DORIN
INNOVATION

COMPRESSORE / COMPRESSOR
63VS

RIF.	Q.TY	CODICE - CODE	DESCRIZIONE	DESCRIPTION
10	4	1MCD011	Kit biella pistone completo	Conn.rod-piston complete
20	1	1RKA035	Rubinetto compressione	Discharge service valve
30	1	1RKA055	Rubinetto aspirazione	Suction service valve
40	1	1CKF146	Filtro aspirazione + guarnizione	Suction filter + gasket
50	2	1PCB011	Piastra valvole completa	Complete valve plate
60	2	1CCQ010	Spia olio	Oil sight glass
70	1	1TCC030	Premistoppa + flangia	Shaft seal with flange
80	1	1MKA807	Albero + chiavetta+rasamento	Complete shaft
90	1	1CKJ553	Kit bronzine + rasamento	Bushing + thrust kit
100	1	1LKF025 *	Mozzo pompa olio + filtro	Oil pump hub + filter
100	1	1LKF027 **	Mozzo + pompa olio + filtro	Hub + oil pump + filter
100	1	1LKF020 ***	Pompa olio + filtro	Oil pump + filter
	1	1CCM009	Kit guarnizioni	Complete gasket kit
	1	2EG2020	Riscaldatore olio	Crank case heater

* Per compressori prodotti fino al 28 febbraio 2014 - For compressors manufactured until 28 February 2014
** Per compressori prodotti dal 01 Marzo 2014 - For compressors manufactured from 01 March 2014
*** Pompa olio solo per compressori prodotti dal 01 Marzo 2014 - Oil pump only for compressors manufactured from 01 March 2014





OFFICINE MARIO DORIN SINCE 1918

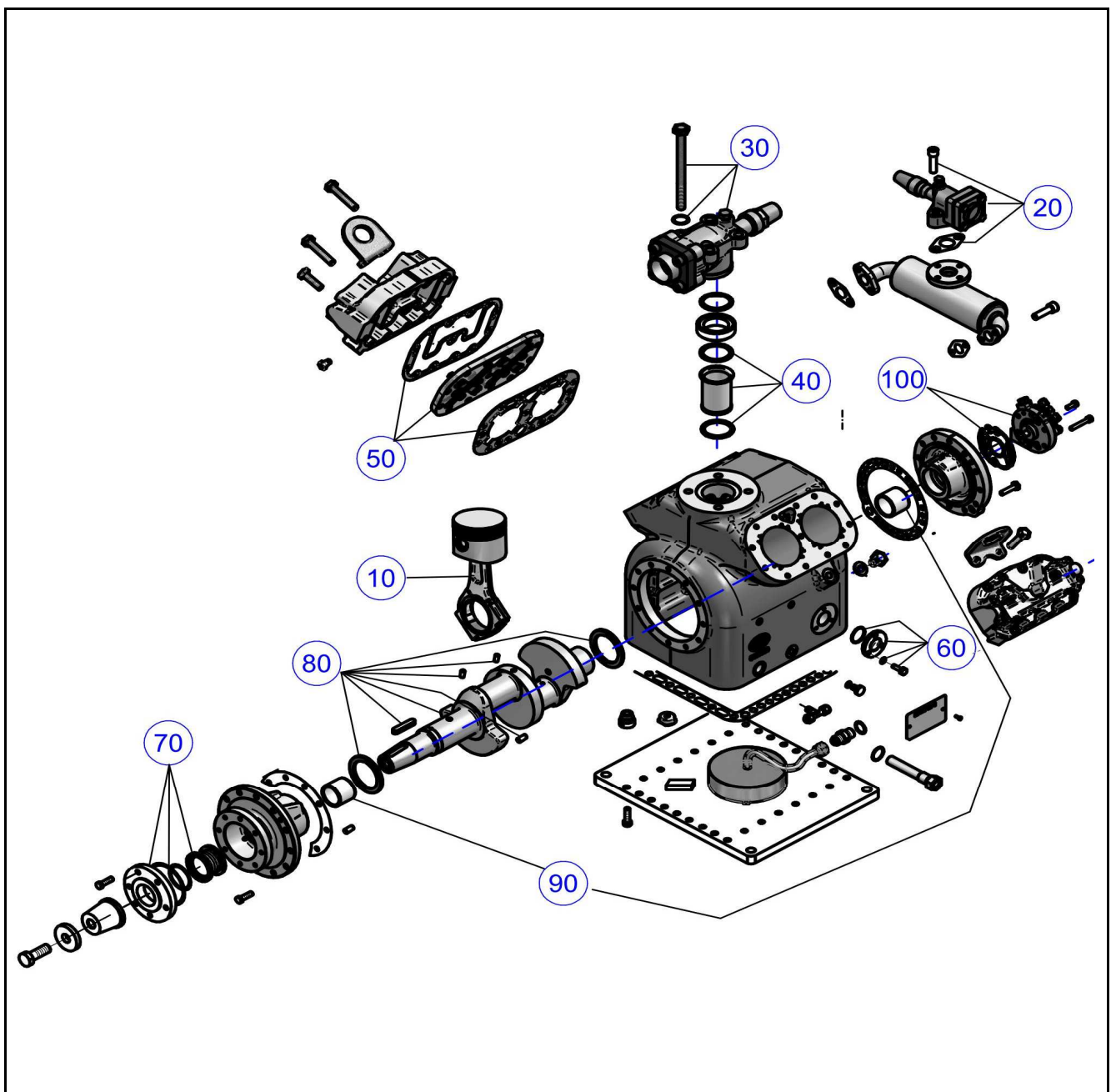
DORIN
INNOVATIONCOMPRESSORE / COMPRESSOR
68VS

RIF.	Q.TY	CODICE - CODE	DESCRIZIONE	DESCRIPTION
10	4	1MCD095	Kit biella pistone completo	Conn.rod-piston complete
20	1	1RKC146	Rubinetto compressione	Discharge service valve
30	1	1RKA213	Rubinetto aspirazione	Suction service valve
40	1	1CKF147	Filtro aspirazione + guarnizione	Suction filter + gasket
50	2	1PKP081	Piastra valvole completa	Complete valve plate
60	2	1CCQ010	Spia olio	Oil sight glass
70	1	1TCC030	Premistoppa + flangia	Shaft seal with flange
80	1	1MKA808	Albero + chiavetta+rasamento	Complete shaft
90	1	1CKJ553	Kit bronzine + rasamento	Bushing + thrust kit
100	1	1LKF025 *	Mozzo pompa olio + filtro	Oil pump hub + filter
100	1	1LKF027 **	Mozzo + pompa olio + filtro	Hub + oil pump + filter
100	1	1LKF020 ***	Pompa olio + filtro	Oil pump + filter
	1	1CCM040	Kit guarnizioni	Complete gasket kit
	1	2EG2020	Riscaldatore olio	Crank case heater

* Per compressori prodotti fino al 28 febbraio 2014 - For compressors manufactured until 28 February 2014

** Per compressori prodotti dal 01 Marzo 2014 - For compressors manufactured from 01 March 2014

*** Pompa olio solo per compressori prodotti dal 01 Marzo 2014 - Oil pump only for compressors manufactured from 01 March 2014



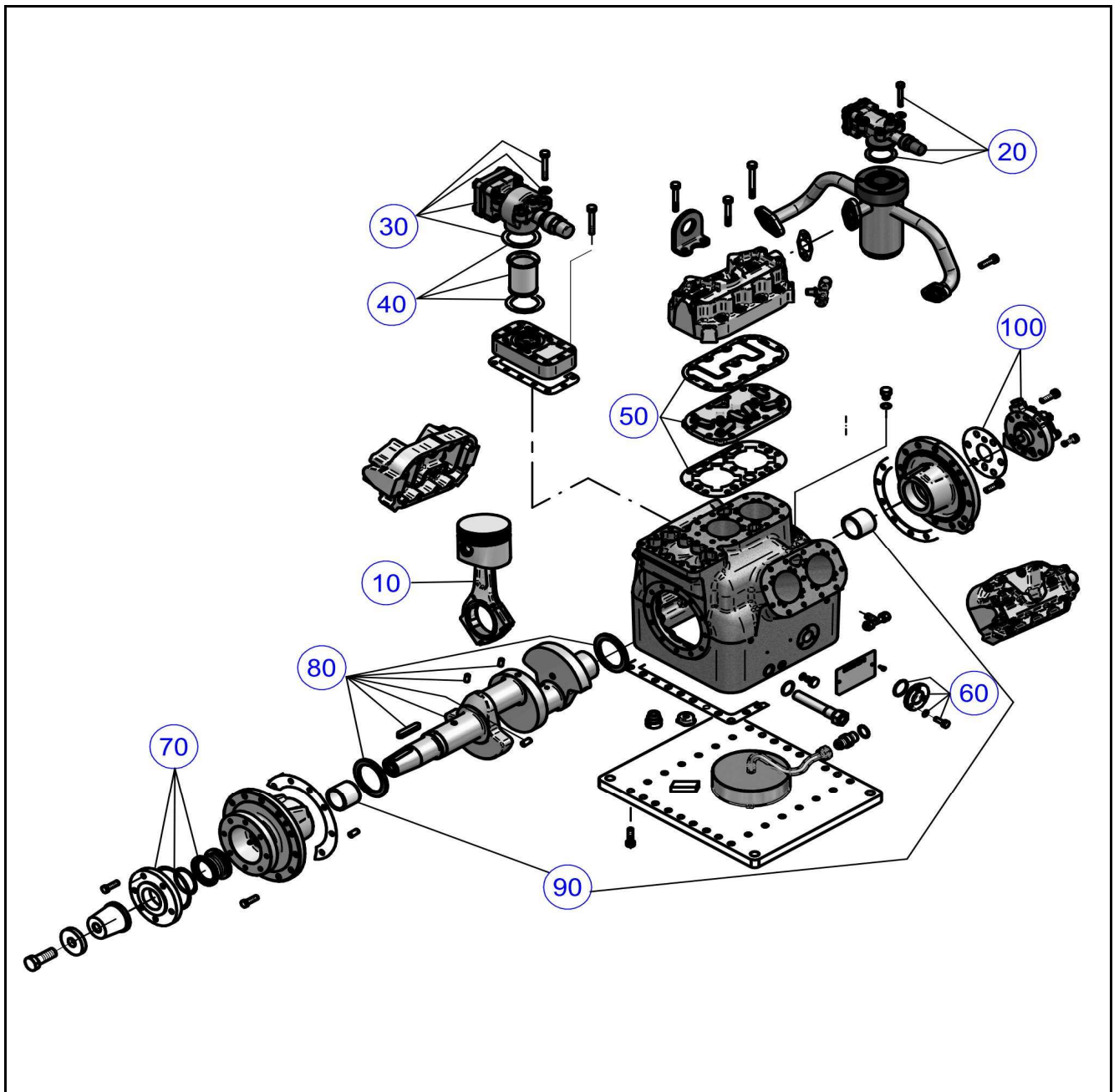


OFFICINE MARIO DORIN SINCE 1918

DORIN
INNOVATIONCOMPRESSORE / COMPRESSOR
81VS

RIF.	Q.TY	CODICE - CODE	DESCRIZIONE	DESCRIPTION
10	6	1MCD011	Kit biella pistone completo	Conn.rod-piston complete
20	1	1RKC147	Rubinetto compressione	Discharge service valve
30	1	1RKC083	Rubinetto aspirazione	Suction service valve
40	1	1CKF148	Filtro aspirazione + guarnizione	Suction filter + gasket
50	3	1PCB011	Piastra valvole completa	Complete valve plate
60	1	1CCQ010	Spia olio	Oil sight glass
70	1	1TCC030	Premistoppa + flangia	Shaft seal with flange
80	1	1MKA809	Albero completo	Complete shaft
90	1	1CKJ553	Kit bronzine + rasamento	Bushing + thrust kit
100	1	1LKF025 *	Mozzo pompa olio + filtro	Oil pump hub + filter
100	1	1LKF027 **	Mozzo + pompa olio + filtro	Hub + oil pump + filter
100	1	1LKF020 ***	Pompa olio + filtro	Oil pump + filter
	1	1CCM029	Serie guarnizioni completa	Complete gasket set
	1	2EG2020	Riscaldatore olio	Crank case heater

* Per compressori prodotti fino al 28 febbraio 2014 - For compressors manufactured until 28 February 2014
** Per compressori prodotti dal 01 Marzo 2014 - For compressors manufactured from 01 March 2014
*** Pompa olio solo per compressori prodotti dal 01 Marzo 2014 - Oil pump only for compressors manufactured from 01 March 2014



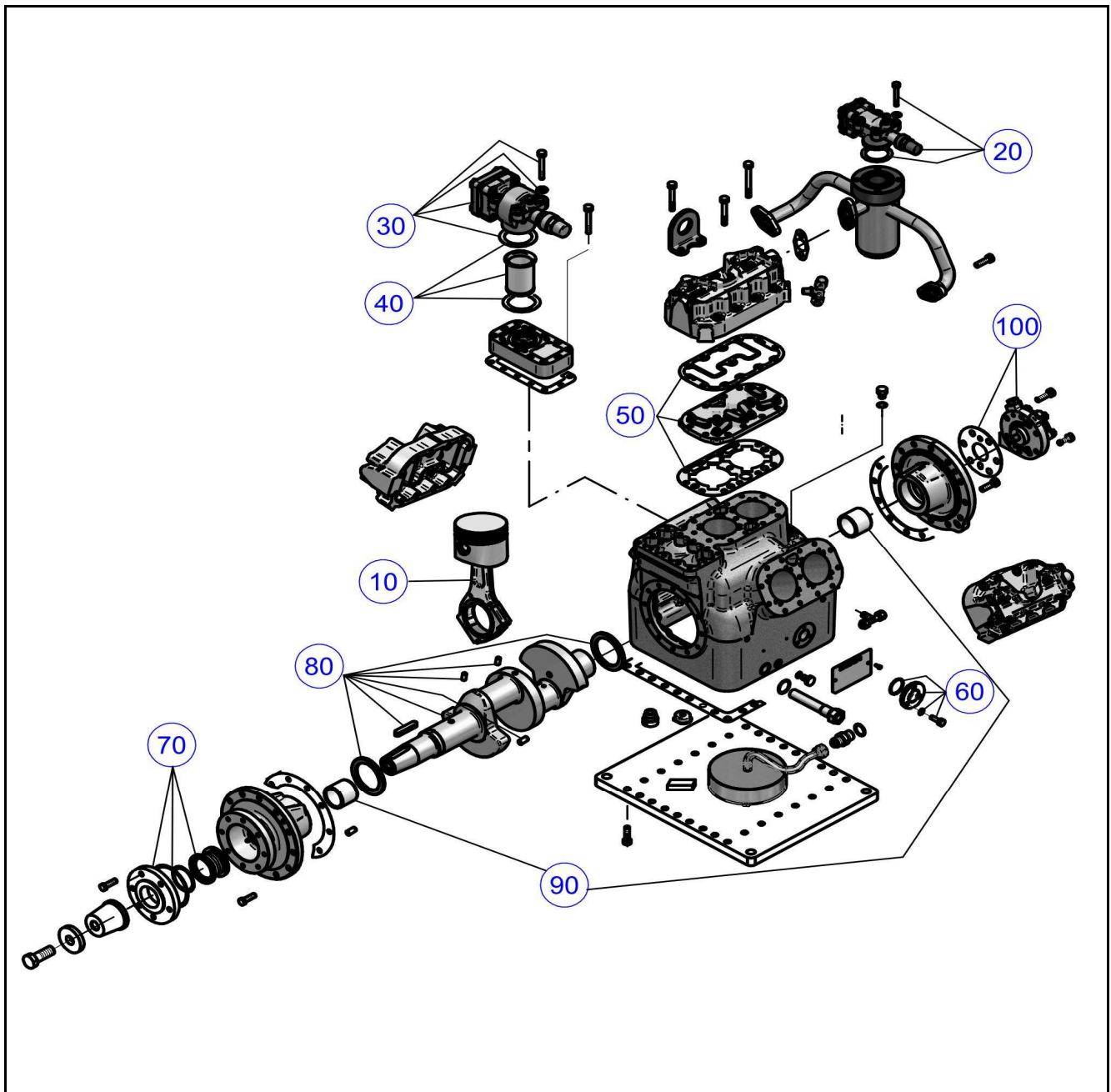


OFFICINE MARIO DORIN SINCE 1918

DORIN
INNOVATIONCOMPRESSORE / COMPRESSOR
90VS

RIF.	Q.TY	CODICE - CODE	DESCRIZIONE	DESCRIPTION
10	6	1MCD095	Kit biella pistone completo	Conn.rod-piston complete
20	1	1RKC147	Rubinetto compressione	Discharge service valve
30	1	1RKC083	Rubinetto aspirazione	Suction service valve
40	1	1CKF148	Filtro aspirazione + guarnizione	Suction filter + gasket
50	3	1PKP081	Piastra valvole completa	Complete valve plate
60	1	1CCQ010	Spia olio	Oil sight glass
70	1	1TCC030	Premistoppa + flangia	Shaft seal with flange
80	1	1MKA809	Albero completo	Complete shaft
90	1	1CKJ553	Kit bronzine + rasamento	Bushing + thrust kit
100	1	1LKF025 *	Mozzo pompa olio + filtro	Oil pump hub + filter
100	1	1LKF027 **	Mozzo + pompa olio + filtro	Hub + oil pump + filter
100	1	1LKF020 ***	Pompa olio + filtro	Oil pump + filter
	1	1CCM155	Serie guarnizioni completa	Complete gasket set
	1	2EG2020	Riscaldatore olio	Crank case heater

* Per compressori prodotti fino al 28 febbraio 2014 - For compressors manufactured until 28 February 2014
** Per compressori prodotti dal 01 Marzo 2014 - For compressors manufactured from 01 March 2014
*** Pompa olio solo per compressori prodotti dal 01 Marzo 2014 - Oil pump only for compressors manufactured from 01 March 2014



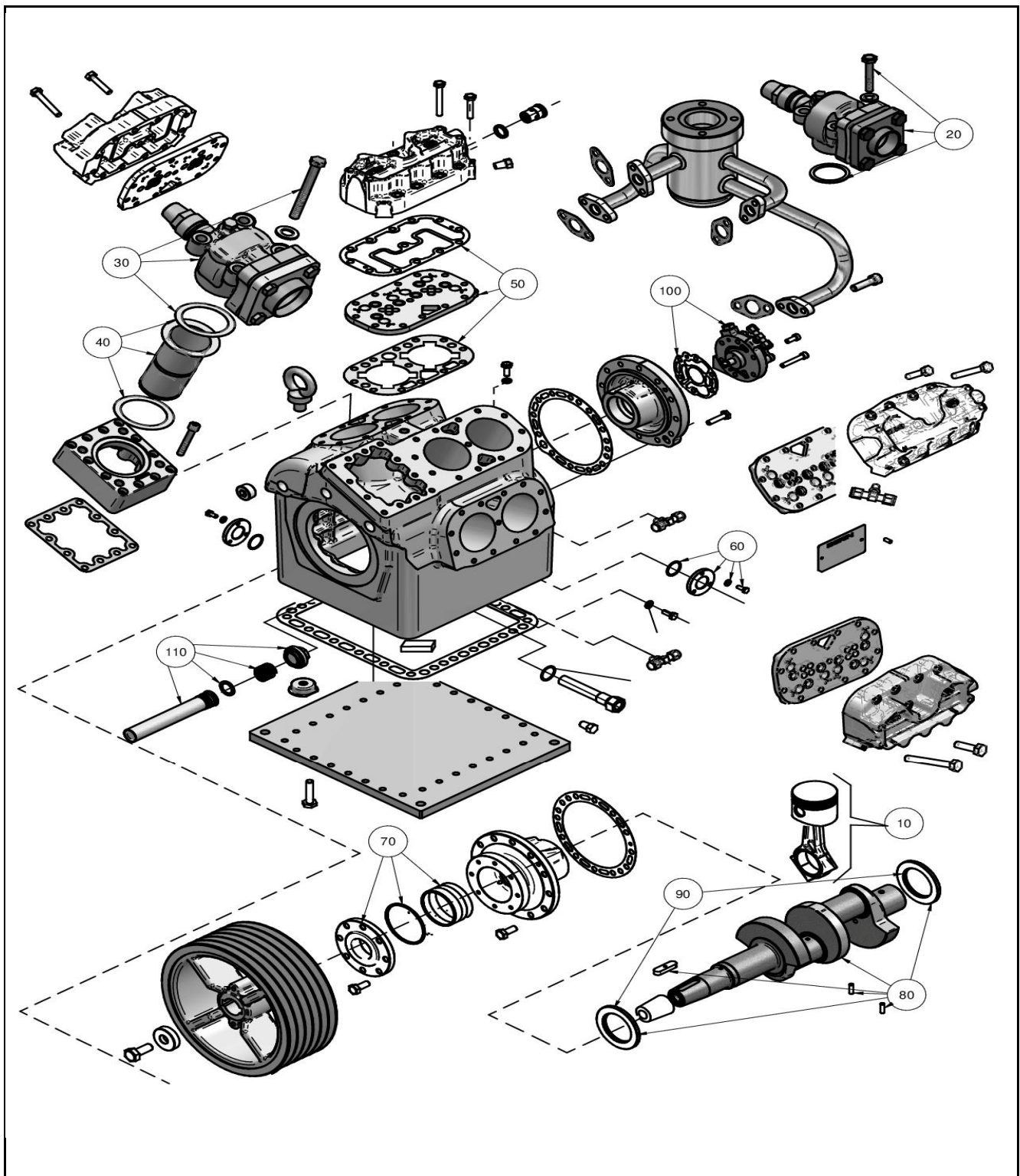


OFFICINE MARIO DORIN SINCE 1918

DORIN
INNOVATION

COMPRESSORE / COMPRESSOR
100VS

RIF.	Q.TY	CODICE - CODE	DESCRIZIONE	DESCRIPTION
10	8	1MDC40	Kit biella pistone completo	Conn.rod-piston complete
20	1	1RKC115	Rubinetto compressione	Discharge service valve
30	1	1RKA081	Rubinetto aspirazione	Suction service valve
40	1	1CKF149	Filtro aspirazione + guarnizione	Suction filter + gasket
50	4	1PCB011	Piastra valvole completa	Complete valve plate
60	1	1CCQ010	Spia olio	Oil sight glass
70	1	1TCC030	Premistoppa + flangia	Shaft seal with flange
80	1	1MKA833	Albero completo	Complete shaft
90	1	1CKJ553	Kit bronzine + rasamento	Bushing + thrust kit
100	1	1LKF026	Pompa olio + filtro	Oil pump + filter
110	1	1LCU033	Filtro olio	Oil filter
	1	1CCM156	Serie guarnizioni completa	Complete gasket set

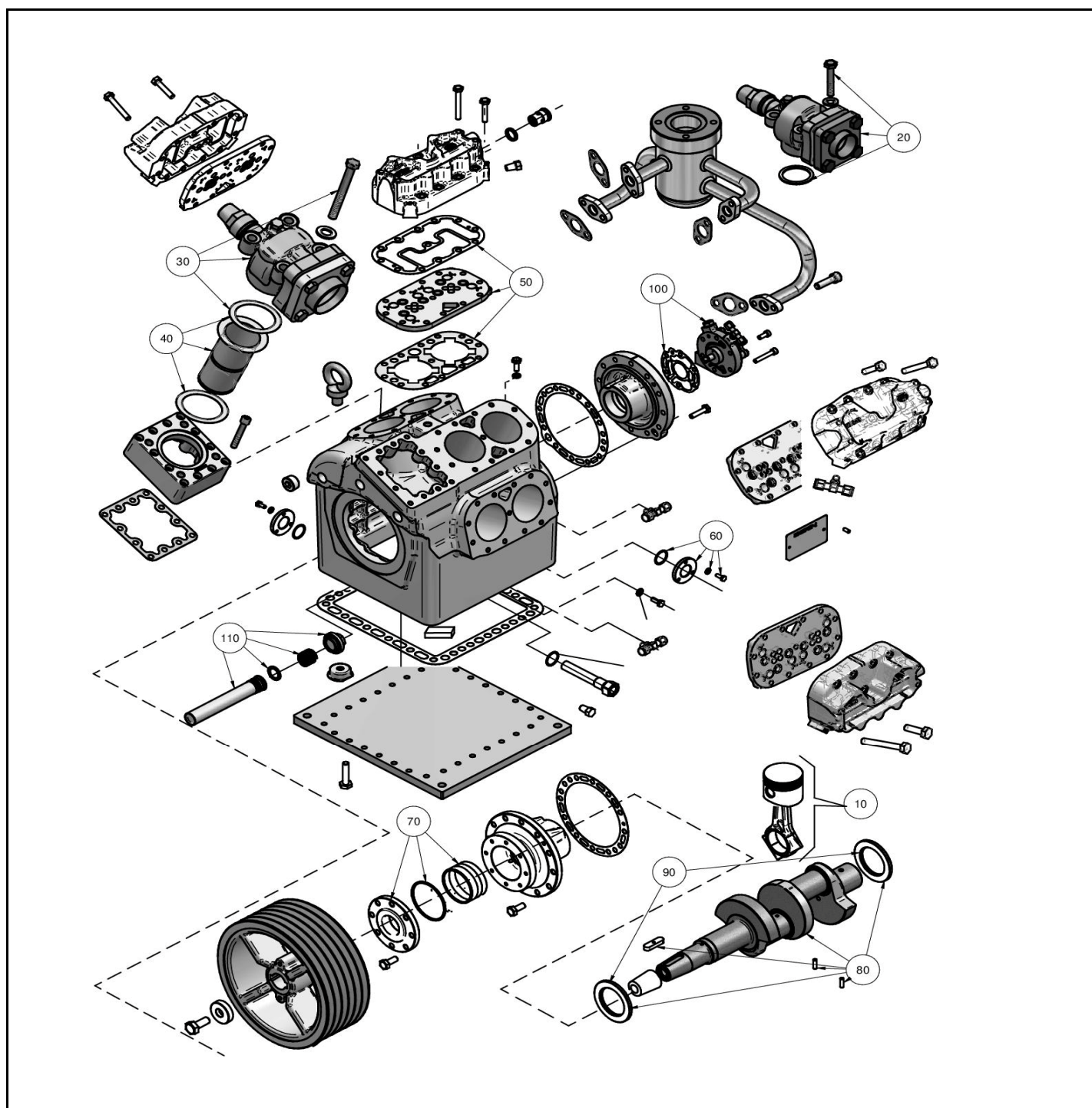




OFFICINE MARIO DORIN SINCE 1918
DORIN
INNOVATION

COMPRESSORE / COMPRESSOR
110VS

RIF.	Q.TY	CODICE - CODE	DESCRIZIONE	DESCRIPTION
10	8	1MDCD41	Kit biella pistone completo	Conn.rod-piston complete
20	1	1RKC115	Rubinetto compressione	Discharge service valve
30	1	1RKA081	Rubinetto aspirazione	Suction service valve
40	1	1CKF149	Filtro aspirazione + guarnizione	Suction filter + gasket
50	4	1PKP081	Piastra valvole completa	Complete valve plate
60	1	1CCQ010	Spia olio	Oil sight glass
70	1	1TCC030	Premistoppa + flangia	Shaft seal with flange
80	1	1MKA833	Albero completo	Complete shaft
90	1	1CKJ553	Kit bronzine + rasamento	Bushing + thrust kit
100	1	1LKF026	Pompa olio	Oil pump
110	1	1LCU033	Filtro olio	Oil filter
	1	1CCM157	Serie guarnizioni completa	Complete gasket set





OFFICINE MARIO DORIN SINCE 1918
DORIN
INNOVATION

NOTE



OFFICINE MARIO DORIN SINCE 1918
DORIN[®]
INNOVATION

OFFICINE MARIO DORIN S.p.A.
Via Aretina 388, 50061 Compiobbi - Florence, Italy
Tel. +39 055 62321 1 - Fax +39 055 62321 380

dorin@dorin.com
www.dorin.com