



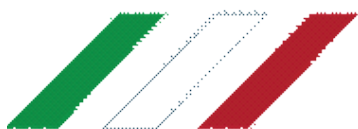
OFFICINE MARIO DORIN SINCE 1918

**DORIN**<sup>®</sup>  
INNOVATION

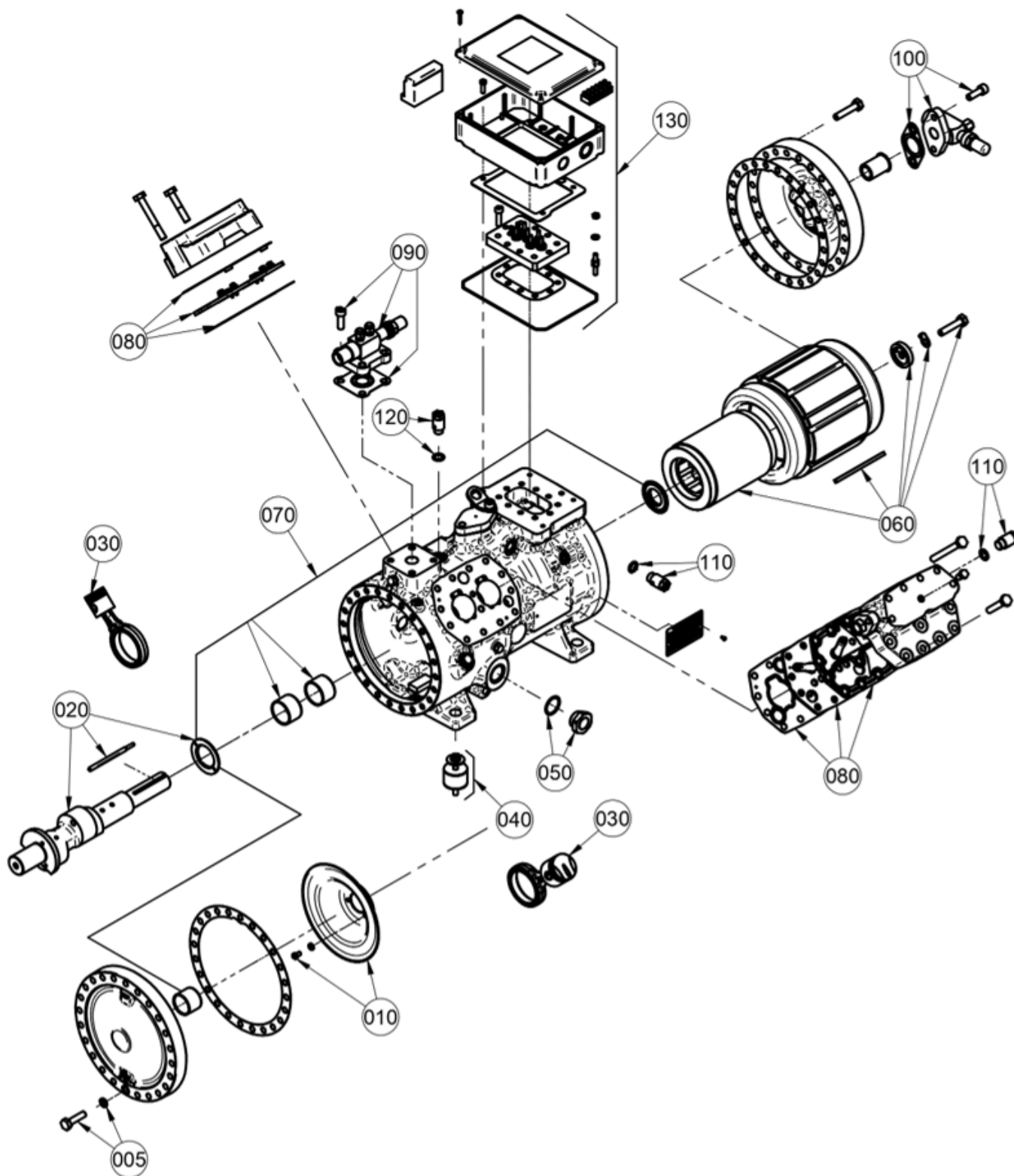
**RICAMBI**

SPARE PARTS

**CD-2S4**



**COMPRESSORI DOPPIO STADIO SEMIERMETIC**  
**SEMI-HERMETIC DOUBLE STAGE COMPRESSOR**

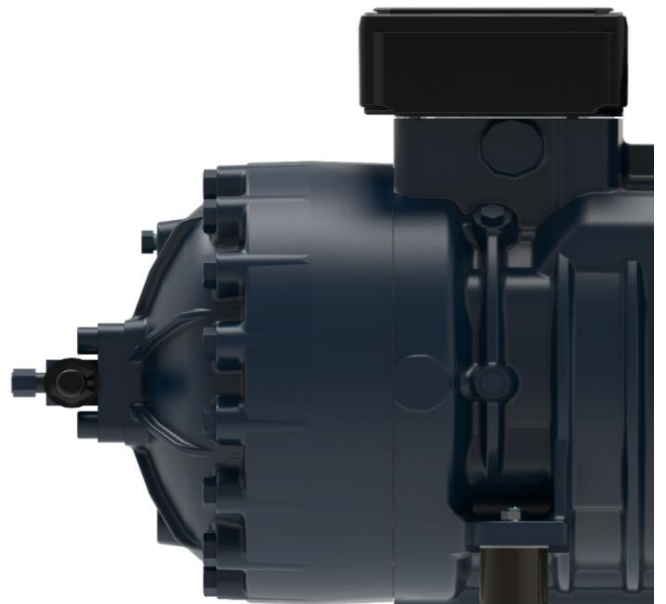


RIF.	QUANTITA' / QUANTITY			CODICE CODE	DESCRIZIONE	DESCRIPTION
	CD25550	CD25750	CD25900			
010	1	1	1	1MKD052	Disco sbattiolio	Oil centrifugal disk
020	1	-	-	1MKA275	Albero completo 5,5HP c.26	Complete shaft 5,5HP c.26
020	-	1	-	1MKA276	Albero completo 7,5HP c.26	Complete shaft 7,5HP c.26
020	-	-	1	1MKA278	Albero completo 9HP c.26	Complete shaft 9HP c.26
030	2	-	-	1MKM142	Kit biella-pistone D.36-D.30 c.26	Conn. Rod-Piston D.36-D.30 c.26
030	-	2	-	1MKM143	Kit biella-pistone D.42-D.32 c.26	Conn. Rod-Piston D.42-D.32 c.26
030	-	-	2	1MKM144	Kit biella-pistone D.46-D.36 c.26	Conn. Rod-Piston D.46-D.36 c.26
040	1	1	1	1CC5042	Kit sospensioni compl.	Vibration damper kit complete
050	1	1	1	1CCQ020	Spia Olio Completa	Oil Sight Glass
060	1	-	-	1RKK200	Rotostatore 5,5 HP 50Hz	Stator-rotor 5,5 HP 50Hz
060	-	1	-	1RKK201	Rotostatore 7,5 HP 50Hz	Stator-rotor 7,5 HP 50Hz
060	-	-	1	1RKK202	Rotostatore 9 HP 50Hz	Stator-rotor 9 HP 50Hz
060	1	-	-	1RKK204	Rotostatore 6,6 HP 60Hz	Stator-rotor 6,6 HP 60Hz
060	-	1	-	1RKK205	Rotostatore 9 HP 60Hz	Stator-rotor 9 HP 60Hz
060	-	-	1	1RKK206	Rotostatore 10,8 HP 60Hz	Stator-rotor 10,8 HP 60Hz
070	1	1	1	1CKJ528	Kit bronzine + rasamento	Bushing + trust kit
080	1	-	-	1PKP120	Piastra Valvole D36-30	Valve Plate D36-30
080	-	1	-	1PKP121	Piastra Valvole D42-32	Valve Plate D42-32
080	-	-	1	1PKP122	Piastra Valvole D46-36	Valve Plate D46-36
090	1	1	1	1RKC085	Rubinetto di mandata	Discharge service valve
100	1	1	1	1RKA100	Rubinetto di aspirazione	Suction service valve
110	1	1	1	1LKV034	Valvola sicurezza bassa/media pressione	LP/MP safety valve
120	1	1	1	1LKV035	Valvola sicurezza alta pressione	HP safety valve
130	1	1	1	1RKJ091	Scatola att.el. + piastra	Electrical plate and box
<b>ACCESSORI - ACCESSORIES</b>						
	1	-	-	1CCM239	Serie guarnizioni D.36-30	Complete gasket set D.336-30
	-	1	-	1CCM240	Serie guarnizioni D.42-32	Complete gasket set D.42-32
	-	-	1	1CCM241	Serie guarnizioni D.46-36	Complete gasket set D.46-36
	1	1	1	2EG2020	Resistenza carter 220V	Crankcase heater 220V
	1	1	1	2EG1050	Resistenza carter 110V	Crankcase heater 110V
	1	1	1	2EG1080	Resistenza carter 24V	Crankcase heater 24V
	1	1	1	2CC3110	Modulo per termistori	Thermistors module
	1	1	1	2CG2050	Sensore livello olio	Oil level sensor



OFFICINE MARIO DORIN S.p.A.  
Via Aretina 388, 50061 Compiobbi - Florence, Italy Tel.  
+39 055 62321 1 - Fax +39 055 62321 380

[dorin@dorin.com](mailto:dorin@dorin.com)  
[www.dorin.com](http://www.dorin.com)



## **DORIN WEB SOFTWARE**

**Open the camera app on your device and point it at the QR code to scan it. Make sure that all the four corners of the QR code are in view. A pop-up notification will appear on your screen, tap the notifications to launch the code.**

*Open the camera app on your device and point it at the QR code to scan it. Make sure that all the four corners of the QR code are in view. A pop-up notification will appear on your screen, tap the notifications to launch the code.*

*/ Open the camera app on your device and point it at the QR code to scan it. Make sure that all the four corners of the QR code are in view. A pop-up notification will appear on your screen, tap the notifications to launch the code. / Open the camera app on your device and point it at the QR code to scan it. Make sure that all the four corners of the QR code are in view. A pop-up notification will appear on your screen, tap the notifications to launch the code.*