

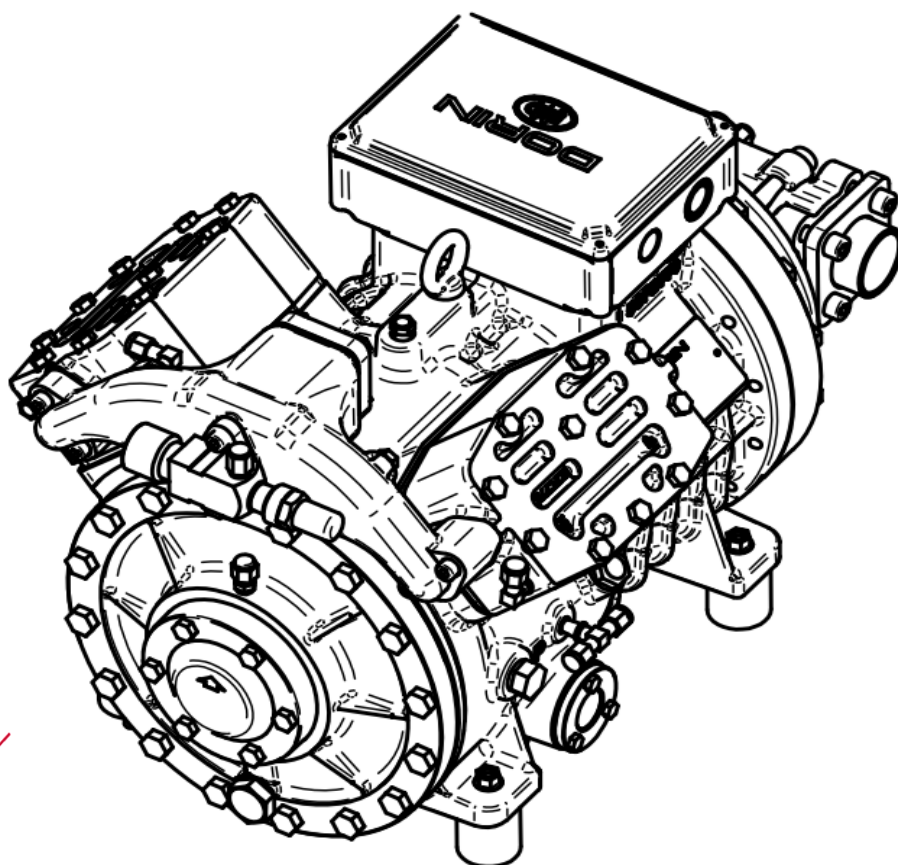


OFFICINE MARIO DORIN SINCE 1918

DORIN[®]
INNOVATION

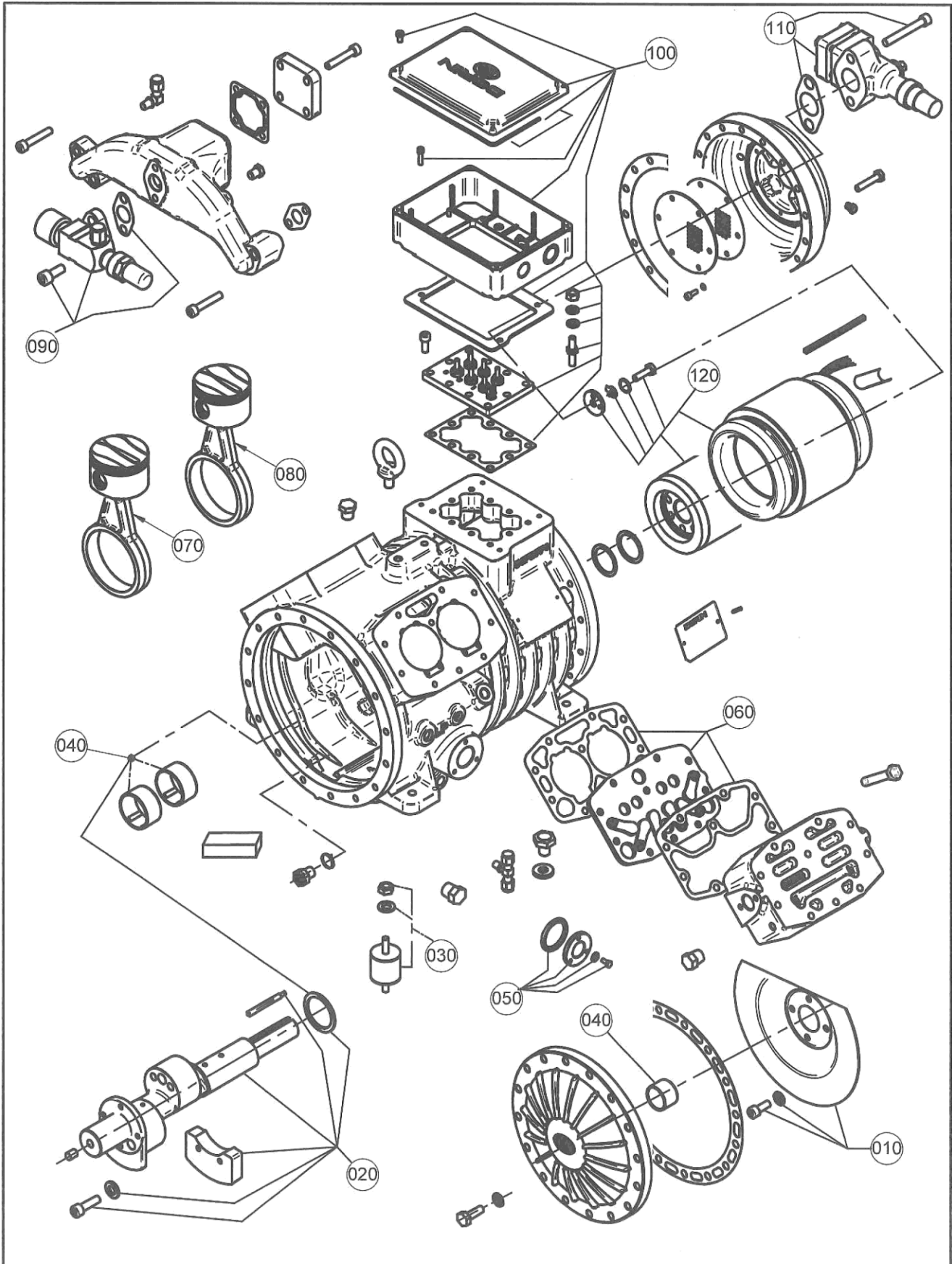
RICAMBI
SPARE PARTS

H4



SEMI-HERMETIC COMPRESSORS

COMPRESSORI SEMIERMETICI





OFFICINE MARIO DORIN SINCE 1918
DORIN
INNOVATION

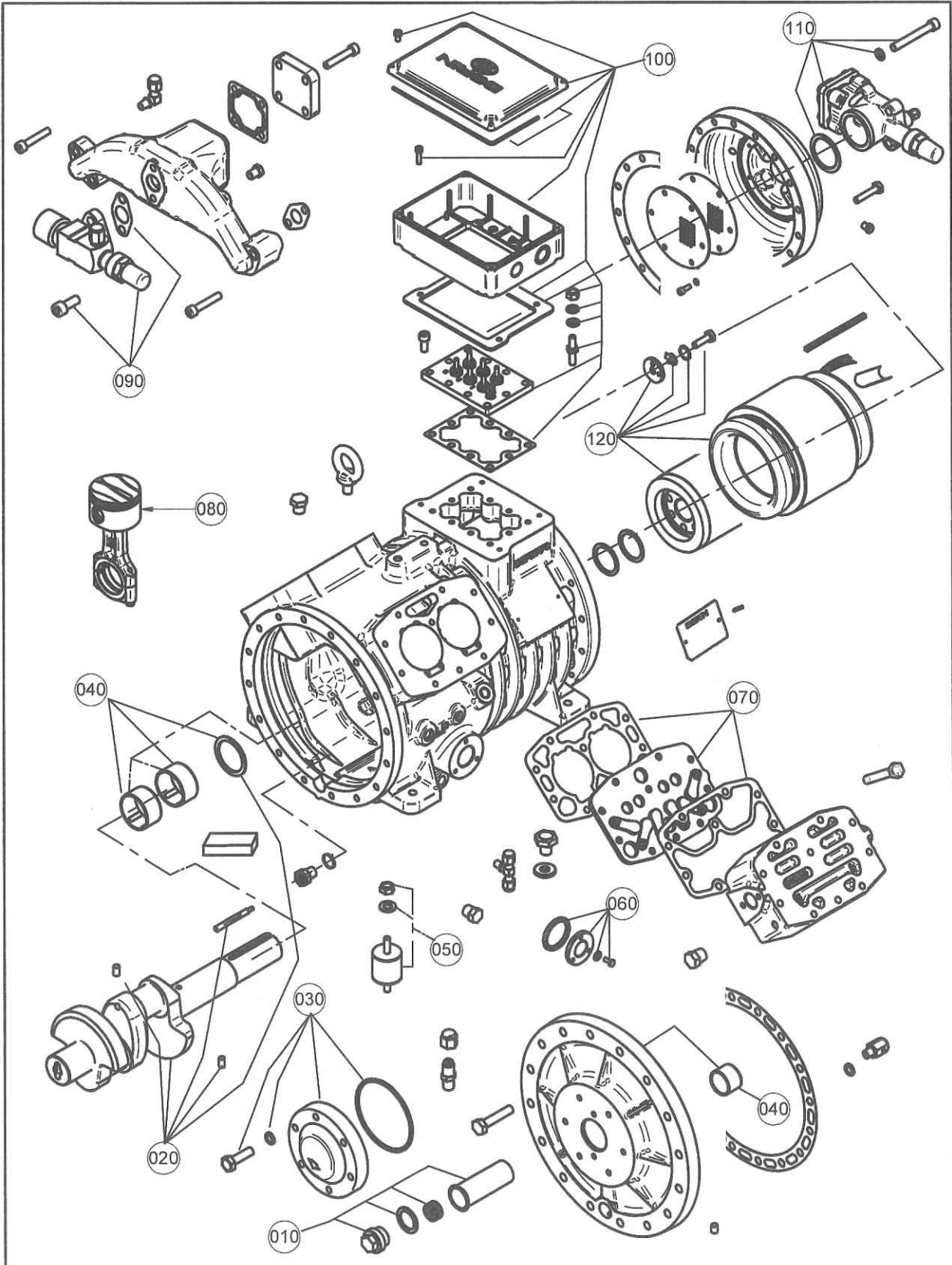
M/COMPRESSORE - M/COMPRESSOR
H4 - WITHOUT OIL PUMP
ESPLOSO COMMERCIALE - COMMERCIAL EXPLODED VIEW



| RIF. | QUANTITA' / QUANTITY | | | | CODICE CODE | DESCRIZIONE | DESCRIPTION |
|------|----------------------|---------|---------|---------|-------------|--------------------------------------|----------------------------------|
| | H850CS | H1000CC | H1000CS | H1500CC | | | |
| 010 | 1 | 1 | - | - | 1MKD044 | Disco sbattiolio | Oil centrifugal disk |
| 010 | - | - | 1 | 1 | 1MKD046 | Disco sbattiolio | Oil centrifugal disk |
| 020 | 1 | 1 | - | - | 1MKA047 | Albero completo c.38 | Complete shaft c.38 |
| 020 | - | - | 1 | 1 | 1MKA050 | Albero completo c.48 | Complete shaft c.48 |
| 030 | 1 | 1 | 1 | 1 | 1CC5014 | Kit sospensioni compl. | Vibration camper kit complete |
| 040 | 1 | - | - | - | 1CKJ031 | Kit bronzine + rasamento | Bushing + trust kit |
| 040 | - | 1 | - | - | 1CKJ032 | Kit bronzine + rasamento | Bushing + trust kit |
| 040 | - | - | 1 | 1 | 1CKJ033 | Kit bronzine + rasamento | Bushing + trust kit |
| 050 | 1 | 1 | 1 | 1 | 1CCQ010 | Spia Olio Completa | Oil sight glass |
| 060 | - | 2 | - | 2 | 1PCB105 | Piastra valvole completa | Complete valve plate |
| 060 | 2 | - | 2 | - | 1PCB106 | Piastra valvole completa | Complete valve plate |
| 070 | 2 | 2 | - | - | 1MCDB15 | Kit biella – pistone esterno | External conn. rod/piston compl. |
| 080 | 2 | 2 | - | - | 1MCDB16 | Kit biella – pistone interno | Internal conn. rod/piston compl. |
| 070 | - | - | 2 | 2 | 1MCDB17 | Kit biella – pistone esterno | External conn. rod/piston compl. |
| 080 | - | - | 2 | 2 | 1MCDB18 | Kit biella – pistone interno | Internal conn. rod/piston compl. |
| 090 | 1 | - | - | - | 1RKA030 | Rubinetto compressione | Discharge service valve |
| 090 | - | 1 | 1 | 1 | 1RKA051 | Rubinetto compressione | Discharge service valve |
| 100 | 1 | 1 | 1 | 1 | 1RKJ041 | Scatola attacchi elettrici + piastra | Electrical plate and box |
| 110 | 1 | 1 | - | - | 1RKC071 | Rubinetto aspirazione | Suction service valve |
| 110 | - | - | 1 | 1 | 1RKC075 | Rubinetto aspirazione | Suction service valve |
| 120 | 1 | - | - | - | 1RKM100 | Rotostatore 7,5HP 400/50PWS | Stator-rotor 7,5HP 400/50PWS |
| 120 | - | 1 | - | - | 1RKM101 | Rotostatore 10 HP 400/50PWS | Stator-rotor 10HP 400/50PWS |
| 120 | - | - | 1 | - | 1RKM102 | Rotostatore 12 HP 400/50PWS | Stator-rotor 12HP 400/50PWS |
| 120 | - | - | - | 1 | 1RKM103 | Rotostatore 15 HP 400/50PWS | Stator-rotor 15HP 400/50PWS |
| 120 | 1 | - | - | - | 1RKM120 | Rotostatore 9HP 400/60PWS | Stator-rotor 9HP 400/60PWS |
| 120 | - | 1 | - | - | 1RKM121 | Rotostatore 12 HP 400/60PWS | Stator-rotor 12HP 400/60PWS |
| 120 | - | - | 1 | - | 1RKM122 | Rotostatore 14 HP 400/60PWS | Stator-rotor 14HP 400/60PWS |
| 120 | - | - | - | 1 | 1RKM123 | Rotostatore 18 HP 400/60PWS | Stator-rotor 18HP 400/60PWS |

ACCESSORI - ACCESSORIES

| | | | | | | | |
|--|---|---|---|---|---------|-----------------------------|-------------------------------|
| | 1 | 1 | 1 | 1 | 1CCM180 | Serie completa guarnizioni | Complete gasket kit |
| | 1 | 1 | 1 | 1 | 1ACS805 | Ventilatore Ausiliario | Auxiliary Head Fun |
| | 1 | 1 | 1 | 1 | 2EG2020 | Resistenza Carter 220V | Crankcase heater 220V |
| | 1 | 1 | 1 | 1 | 2EG1050 | Resistenza Carter 110V | Crankcase heater 110V |
| | 1 | 1 | 1 | 1 | 2EG1080 | Resistenza Carter 24V | Crankcase heater 24V |
| | 1 | 1 | 1 | 1 | 1LCP060 | Testa Parzializzata 220V | Controlled capacity head 220V |
| | 1 | 1 | 1 | 1 | 1LCP061 | Testa Parzializzata 110V | Controlled capacity head 110V |
| | 1 | 1 | 1 | 1 | 1LCP062 | Testa Parzializzata 24V | Controlled capacity head 24V |
| | 1 | 1 | 1 | 1 | 2CC4010 | Modulo termistori | Thermistors module |
| | 1 | 1 | 1 | 1 | 2CG1040 | Sensore ottico livello olio | Oil level sensor |





OFFICINE MARIO DORIN SINCE 1918
DORIN
INNOVATION

M/COMPRESSORE - M/COMPRESSOR
CD400 - OIL PUMP LUBRICATED
ESPLOSO COMMERCIALE - COMMERCIAL EXPLODED VIEW



| RIF. | QUANTITA' / QUANTITY | | | | | | CODICE CODE | DESCRIZIONE | DESCRIPTION |
|--------------------------------|----------------------|---------|---------|---------|---------|---------|----------------|----------------------------|-------------------------------|
| | H1500CS | H2000CC | H1600CS | H2200CC | H1800CS | H2400CC | | | |
| 010 | 1 | 1 | 1 | 1 | 1 | 1 | 1LKU010 | Filtro olio completo | Complete oil strainer |
| 020 | 1 | 1 | - | - | - | - | 1MKA082 | Albero completo c.56 | Complete shaft c.56 |
| 020 | - | - | 1 | 1 | - | - | 1MKA083 | Albero completo c.58 | Complete shaft c.58 |
| 020 | - | - | - | - | 1 | 1 | 1MKA100 | Albero completo c.65 | Complete shaft c.65 |
| 030 | 1 | 1 | 1 | 1 | 1 | 1 | 1LKC028 | Pompa olio | Oil pump |
| 030 | - | - | - | - | 1 | 1 | 1LKC007 | Pompa olio | Oil pump |
| 040 | 1 | 1 | 1 | 1 | 1 | 1 | 1CKJ034 | Kit bronzine+rasamento | Bushing+trust kit |
| 050 | 1 | 1 | 1 | 1 | 1 | 1 | 1CC5014 | Kit sospensioni compl. | Vibration damper kit compl. |
| 060 | 1 | 1 | 1 | 1 | 1 | 1 | 1CCQ010 | Spia olio completa | Oil sight glass |
| 070 | 2 | 2 | 2 | 2 | 2 | 2 | 1PCB105 | Piastra valvole completa | Complete valve plate |
| 080 | 4 | 4 | - | - | - | - | 1MCDB21 | Kit biella-pistone | Conn.rod.piston compl. |
| 080 | - | - | 4 | 4 | 4 | 4 | 1MCDB23 | Kit biella-pistone | Conn.rod.piston compl. |
| 090 | 1 | 1 | 1 | 1 | 1 | 1 | 1RKA051 | Rubinetto di mandata | Discharge service valve |
| 100 | 1 | - | 1 | - | - | - | 1RKJ041 | Scatola att.el.+piastra | Electrical plate and box |
| 100 | - | 1 | - | 1 | 1 | 1 | 1RKJ042 | Scatola att.el.+piastra | Electrical plate and box |
| 110 | 1 | 1 | 1 | 1 | 1 | 1 | 1RKA047 | Rubinetto di aspirazione | Suction service valve |
| 120 | 1 | - | 1 | - | - | - | 1RKM103 | Roto-statore 15HP 50HZ | Stator-rotor 15HP 50HZ |
| 120 | - | 1 | - | - | 1 | - | 1RKM104 | Roto-statore 20HP 50HZ | Stator-rotor 20HP 50HZ |
| 120 | - | - | - | 1 | - | 1 | 1RKM105 | Roto-statore 25HP 50HZ | Stator-rotor 25HP 50HZ |
| 120 | 1 | - | 1 | - | - | - | 1RKM123 | Roto-statore 18HP 60HZ | Stator-rotor 18HP 60HZ |
| 120 | - | 1 | - | - | 1 | - | 1RKM124 | Roto-statore 24HP 60HZ | Stator-rotor 24HP 60HZ |
| 120 | - | - | - | 1 | - | 1 | 1RKM125 | Roto-statore 30HP 60HZ | Stator-rotor 30HP 60HZ |
| ACCESSORI - ACCESSORIES | | | | | | | | | |
| | 1 | 1 | 1 | 1 | 1 | 1 | 1CCM180 | Serie completa guarnizioni | Complete gasket set |
| | 1 | 1 | 1 | 1 | 1 | 1 | 1ACS805 | Ventilatore ausiliario | Auxiliary head fan |
| | 1 | 1 | 1 | 1 | 1 | 1 | 2EG2020 | Resistenza carter 220V | Crankcase heater 220V |
| | 1 | 1 | 1 | 1 | 1 | 1 | 2EG1050 | Resistenza carter 110V | Crankcase heater 110V |
| | 1 | 1 | 1 | 1 | 1 | 1 | 2EG1080 | Resistenza carter 24V | Crankcase heater 24V |
| | 1 | 1 | 1 | 1 | - | - | 1LCP060 | Testa parzializzata 220V | Controlled capacity head 220V |
| | 1 | 1 | 1 | 1 | - | - | 1LCP061 | Testa parzializzata 110V | Controlled capacity head 110V |
| | 1 | 1 | 1 | 1 | - | - | 1LCP062 | Testa parzializzata 24V | Controlled capacity head 24V |
| | - | - | - | - | 1 | 1 | 1LCP065 | Testa parzializzata 220V | Controlled capacity head 220V |
| | - | - | - | - | 1 | 1 | 1LCP066 | Testa parzializzata 110V | Controlled capacity head 110V |
| | - | - | - | - | 1 | 1 | 1LCP067 | Testa parzializzata 24V | Controlled capacity head 24V |
| | 1 | 1 | 1 | 1 | 1 | 1 | 2CC4010 | Modulo per termistori | Thermistors module |



OFFICINE MARIO DORIN SINCE 1918
DORIN[®]
INNOVATION

OFFICINE MARIO DORIN S.p.A.
Via Aretina 388, 50061 Compiobbi - Florence, Italy
Tel. +39 055 62321 1 - Fax +39 055 62321 380

dorin@dorin.com
www.dorin.com